

Automatic electronic hand dryer with Hepa H13 filter


- Hand dryer with electronic sensor.
- Model for mounting on the surface.
- Stainless steel sheet housing polish finish. Also available in satin finish (NOFER 01831.S), black finish (NOFER 01831.N) and other colors.
- With Hepa H13 filter to retain contaminants and particles.
- Suitable for collectivities and places of high frequency of use.
- Robust, anti-vandalism and safe because it's built without sharp edges or other dangerous elements.
- In accordance with European safety directives (EC).

TECHNICAL DATA

- Housing made of one piece polish finish of AISI 304 stainless steel (e=1,2 mm).
- With replaceable Hepa filter without the need to remove the casing.
- Wall fixation with 4 drills (drill bit 8 mm). Screws and bolts included.
- Electronic infrared sensor that stops the hand dryer when the hands leave the activate range.
- Air temperature (environment 20°C): 40°C to 10 cm.
- Motor of universal type.
- Motor speed: 35000 r.p.m.
- Air speed: 305 km/h.
- Air flow: 2660 l/min.
- Total power: 800 W.
- Motor power: 800 W.
- Voltage/Frequency: 220-240 - 50/60 Hz.
- Electric insulation: Class I.
- Distance to the sensor: 10-50 cm (with possibility of regulation).
- Double safety thermal fuse calibrated at 133°C.
- Maximum consumption of 3,5 A.
- Noise level at 2 meters: 72 dBA.
- Protection index: IPX1.
- Dimensions: 327 height x 164 width x 151 depth (mm).
- Total net weight: 4,7 kg.
- With safety thermal limiter and automatic stoppage due to vandalism.
- Function: place your hands under the appliance. The hand dryer will start automatically and it continues working while the hands are within the active range. The device switches off after a few seconds of removal.
- Cleaning: we recommend cleaning with a cotton cloth slightly moistened with a soap solution. Then dry it.
- Estimated drying time: 10-12 seconds.
- Mounting to more than 20 cm of any surface.

SUGGESTED TEXT FOR PRESCRIPTION

NOFER hand dryer, with AISI 304 stainless steel housing polish finish, hot air operated with electronic sensor, 800 W power and temperature of 40°C. With Hepa H13 filter. Motor speed 35000 r.p.m. Dimensions: 327 height x 164 width x 151 depth (mm).



NOFER S.L.
 Ctra. Laureà Miró, 385-387
 08980 · Sant Feliu de Llobregat (Barcelona)
 Tel +34 934 742 423 · Fax +34 934 743 548
 nofer@nofer.com · www.nofer.com

Related products

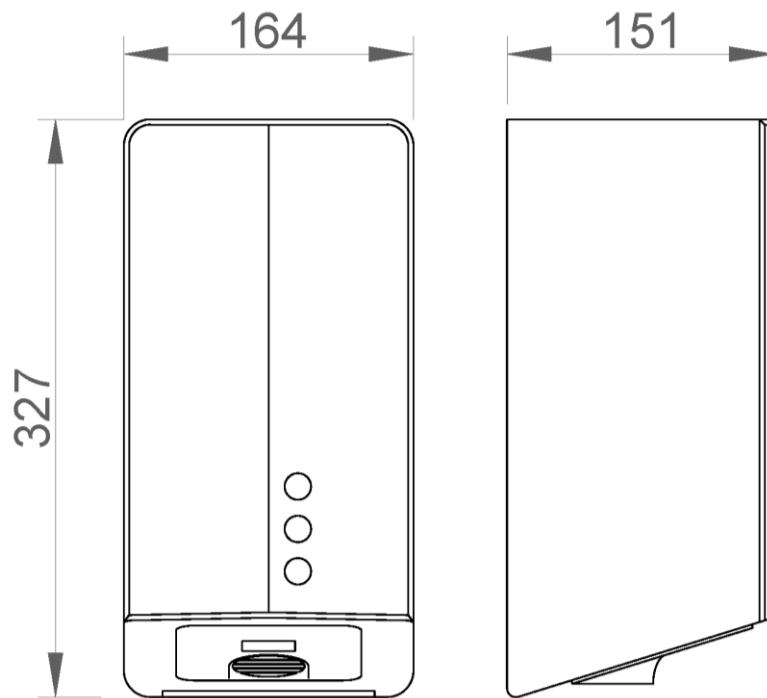
01451.B

01461.W

01831.S

01451.W

TECHNICAL DRAWING



DIMENSIONS IN mm