

Towel rail with soap dish

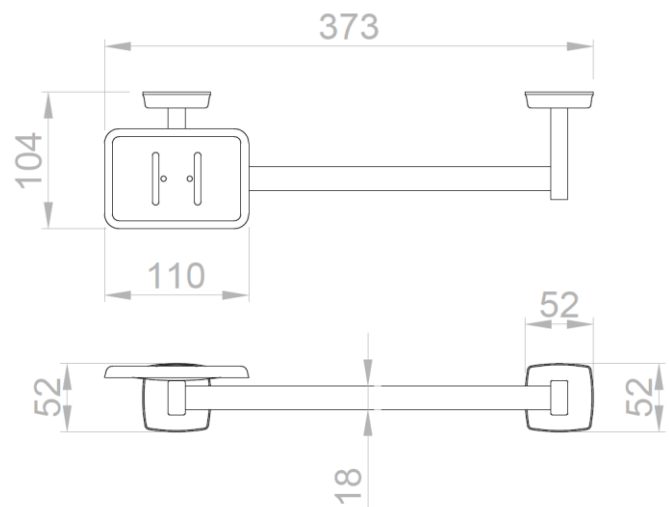
- Towel rail with soap dish.
- Suitable for public areas.
- Resistance and durability against rust and corrosion.


TECHNICAL DATA

- Made in AISI 304 stainless steel.
- Dimensions: 52 height x 373 width x 104 depth (mm).
- Hidden wall support system.
- Wall fixing materials included.

SUGGESTED TEXT FOR PRESCRIPTION

NOFER towel rail with soap dish. Made in AISI 304 stainless steel, polish finish. Dimensions: 52 height x 373 width x 104 depth (mm).

TECHNICAL DRAWING


DIMENSIONS IN mm



NOFER S.L.
 Avenida de la fama, 118
 08940 · Cornellà de Llobregat (Barcelona)
 Tel +34 934 742 423 · Fax +34 934 743 548
 export@nofer.com · www.nofer.com

Related Products
