

**Suspended toilet pan**

- Suspended toilet pan in AISI 304 stainless steel.
- Horizontal drainpipe.
- Anti vandal, one piece welded construction and without edges.
- Designed for bathrooms with high use frequency.
- Easy to clean, durability and resistant against rust.
- Polish finish, also available in satin finish (NOFER 13018.S).


**TECHNICAL DATA**

- Made of AISI 304 stainless steel.
- Stainless steel plate thickness: 2 mm (rear plate and seat), 1 mm for the rest.
- Dimensions: 380 height x 355 width x 550 depth (mm).
- Water inlet connection Ø31 mm and drainpipe outlet Ø100 mm.
- Holes not included - drilling is optional.
- Suitable for manual or automatic flusher system.
- Covers available: ABS (15028), wood (15031.NG) and stainless steel (15029.S), all optionally.
- Optional: fixing frame NOFER 13019.
- Does not include fixing screws.
- Maintenance: stainless steel needs maintenance because dust can eventually damage the chromium (Cr) content in stainless steel. We recommend monthly cleaning with a stainless steel special cleaner.

**SUGGESTED TEXT FOR PRESCRIPTION**

Suspended toilet pan NOFER in AISI 304 stainless steel polish finished. Horizontal drainpipe. Dimensions: 380 height x 355 width x 550 depth (mm). Water inlet connection Ø31 mm and drainpipe outlet Ø100 mm.



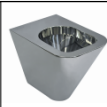
NOFER S.L.  
 Avenida de la fama, 118  
 08940 · Cornellà de Llobregat (Barcelona)  
 Tel +34 934 742 423 · Fax +34 934 743 548  
 export@nofer.com · www.nofer.com

**Related Products**

**13004.P.S**

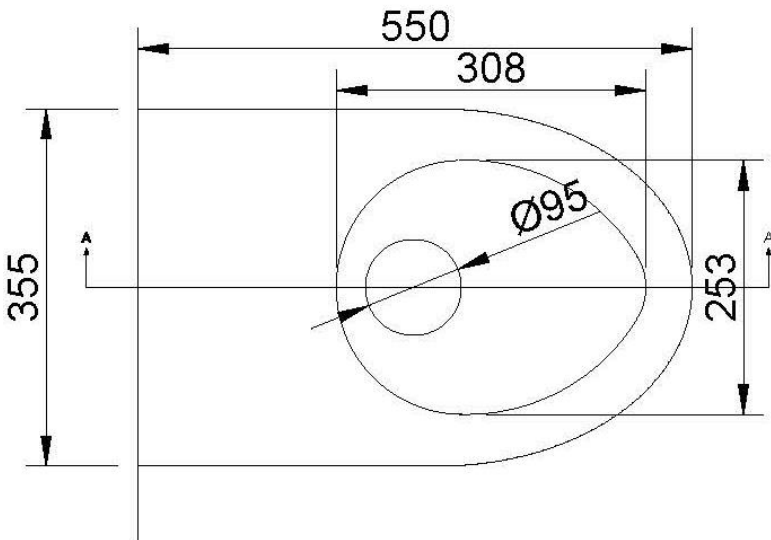
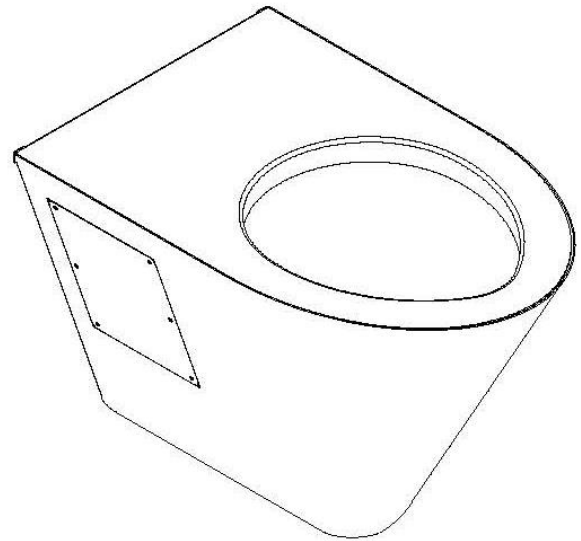
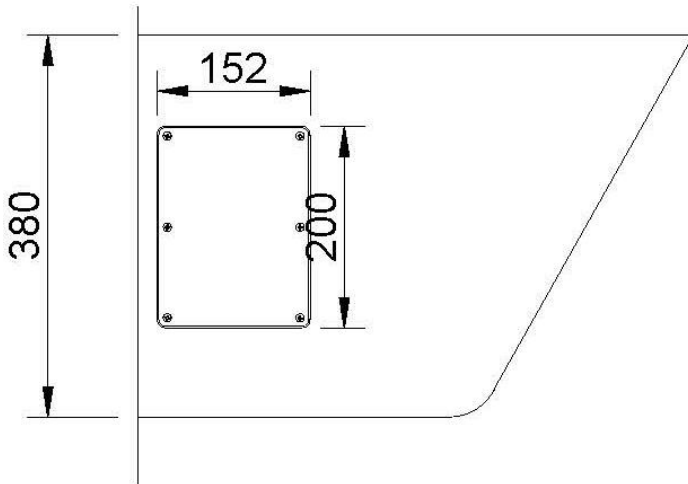
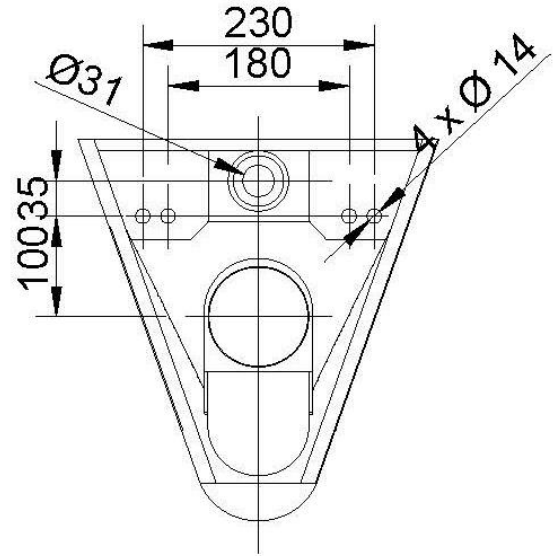
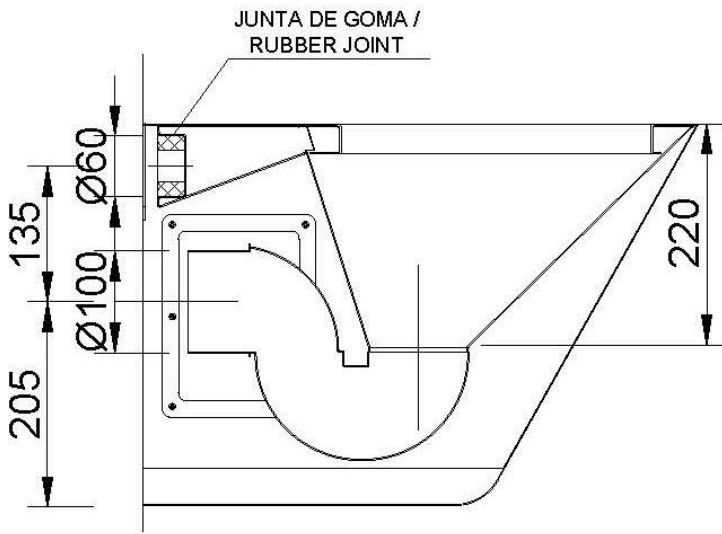
**13002.S**

**13012.S**

**13016.B**

**13022**

**13024.S**

TECHNICAL DRAWING



DIMENSIONS IN mm