

Liquid soap dispenser

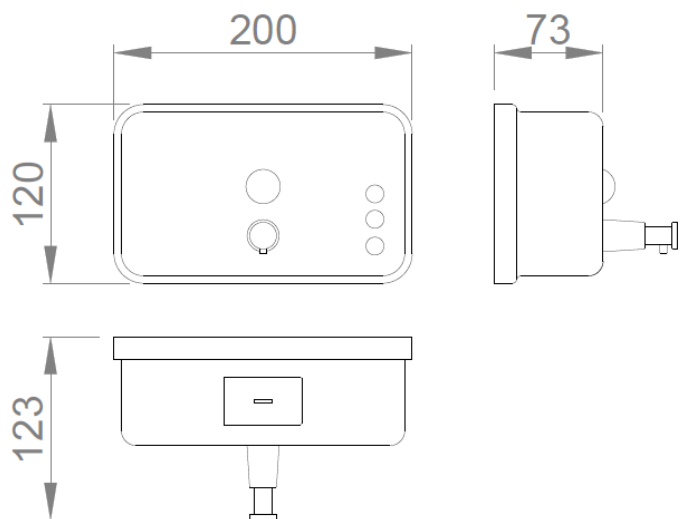
- Horizontal soap dispenser with push button for wall installation.
- Activation with push button.
- Suitable for public places.
- Stainless steel sheet housing gloss finish. Also available in satin finish (NOFER 03042.S).
- Durability and resistance to corrosion.
- Robust, anti-vandalism and manufactured without edges or sharp edges for safety in use.


TECHNICAL DATA

- Made of AISI 304 stainless steel gloss finished, one piece housing and 1 mm thickness.
- Plastic inner tank. Capacity: 1,2 liters. Refillable.
- Top-level security filling using special key supplied.
- Installation: 3 hidden points for fixing to the wall. Screws included.
- Chromed brass push button.
- Anti-vandalism visor with polycarbonate content.
- Dimensions: 120 height x 200 width x 123 depth (mm).
- Weight (empty): 0,7 kg.
- Recommended height of installation on countertop: 120 - 200 mm.
- Suitable for all types of soaps (except surgical).
- Maintenance: stainless steel needs maintenance because dust can eventually damage the chromium (Cr) content in stainless steel. We recommend monthly cleaning with a stainless steel special cleaner.

SUGGESTED TEXT FOR PRESCRIPTION

NOFER liquid soap dispenser with activation by push button, wall installation, horizontal, made of stainless steel AISI 304 gloss finish. Plastic inner tank. Dimensions: 120 height x 200 width x 123 depth (mm). Capacity: 1,2 liters.

TECHNICAL DRAWING


DIMENSIONS IN mm



NOFER S.L.
 Avenida de la fama, 118
 08940 · Cornellà de Llobregat (Barcelona)
 Tel +34 934 742 423 · Fax +34 934 743 548
 export@nofer.com · www.nofer.com

Related Products


01911.B



03023.B



03101.B



07250.B



03202.S



03201.S