

Paper towel roll dispenser

- Center-pull towel paper roll dispenser for surface mounting.
- Sturdy and vandal proof.
- Front swing-up door.
- Safety closure with pin tumbler lock and key included.
- Simple mounting: line up with tiles and fasten with 3 screws.
- Satin finished stainless steel. Also available polish finished (NOFER 04099.B).



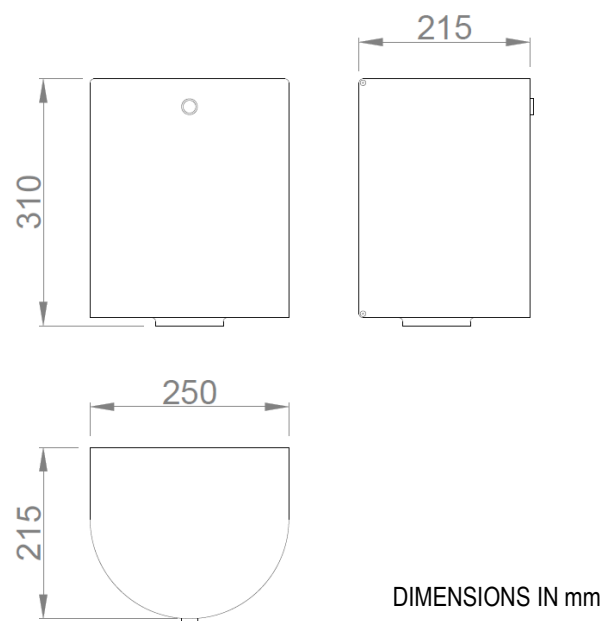
TECHNICAL DATA

- Made of AISI 304 stainless steel, (0,8 mm thickness).
- Consumable: paper towel roll NOFER 06004.E.
- Capacity: 1 roll (maximum dimensions: Ø200, height 200 mm).
- Dimensions: 310 height x 250 width x 215 depth (mm).
- Net weight: 2,5 kg.
- Installation through three wall fixation points. Fixing material included.
- Maintenance: stainless steel requires maintenance, after some time dust may damage the stainless steel chrome. We recommend a regular cleaning with an specific stainless steel cleaner.

SUGGESTED TEXT FOR PRESCRIPTION

NOFER center-pull towel paper roll dispenser for surface mounting. Made of satin finished AISI 304 stainless steel, with front opening and pin tumbler lock with key. Dimensions: 310 height x 250 width x 215 depth (mm).

TECHNICAL DRAWING



NOFER S.L.
 Avenida de la fama, 118
 08940 · Cornellà de Llobregat (Barcelona)
 Tel +34 934 742 423 · Fax +34 934 743 548
 export@nofer.com · www.nofer.com

Related Products

