

Paper towel dispenser

- Paper towel dispenser, manual removal and automatic cutting.
- Designed for wall mounting.
- With frontal content viewer.
- Filled by included safety key.



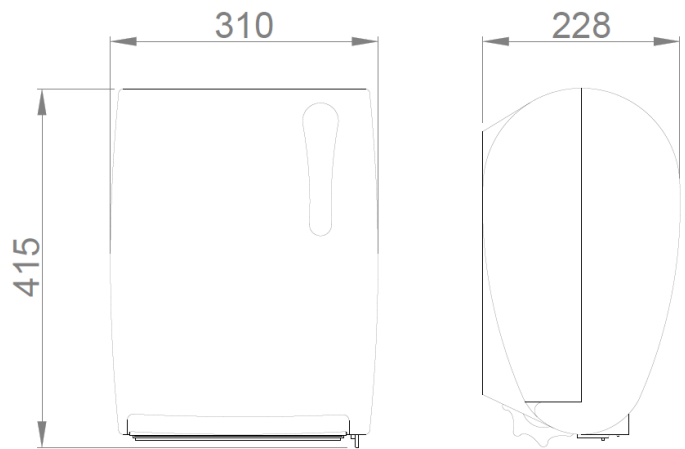
COMPONENTS AND SPECIFICATIONS

- Manufactured in black and transparent ABS. Polyamide lock.
- Dimensions: 415 height x 310 width x 228 depth (mm).
- Maximum roll: 220 width, Ø190 (mm).
- Standard paper double - triple layer.
- Mounting screws included.

SUGGESTED TEXT FOR PRESCRIPTION

Paper towel dispenser NOFER, with frontal content viewer. Manual removal and automatic cutting. For wall mounting, in black and transparent ABS. Dimensions: 415 height x 310 width x 228 depth (mm). Maximum roll: 220 width, Ø 190 (mm).

TECHNICAL DRAWING



DIMENSIONS IN mm



NOFER S.L.  
 Avenida de la fama, 118  
 08940 · Cornellà de Llobregat (Barcelona)  
 Tel +34 934 742 423 · Fax +34 934 743 548  
 export@nofer.com · www.nofer.com

Related Products



05010.BK



05011.BK



04033.BK



04027.BK



03011.BK



05012.BK