

Pedestal emergency eyewash

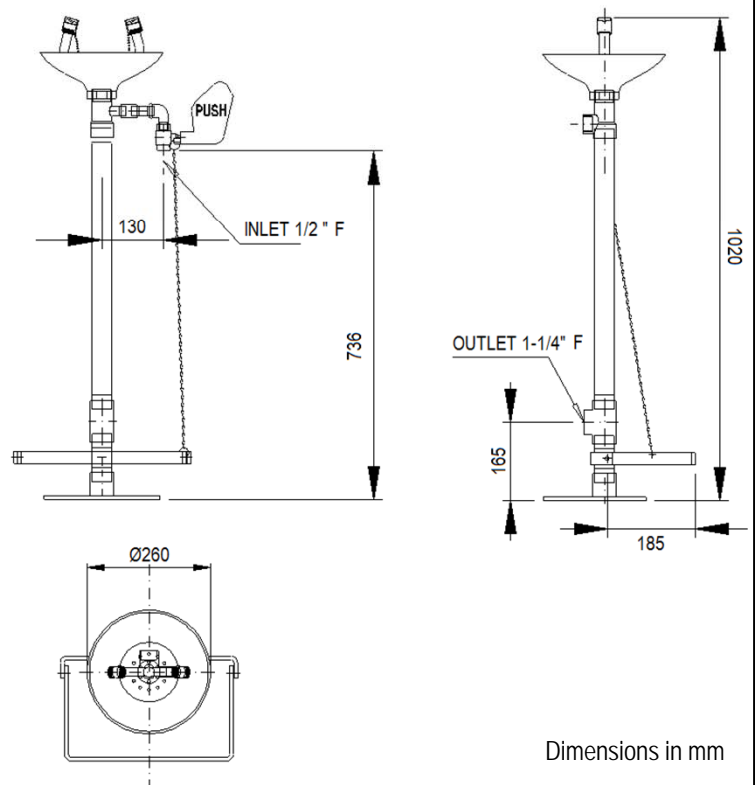


- Floor emergency eyewash.
- High water flow and low water pressure with total way out valve.
- Instant automatic opening activated by lateral lever or foot pedal.
- Double aerated jet with dust cover.
- Green color RAL 6029.
- Suitable for industries, laboratories and generally where there is risk of personal damages from fire, acids, chemical reactants, petroleum products, radioactive materials or other contaminants.
- CE conformity.

TECHNICAL DATA

- Eyewash basin made of stainless steel.
- Manufactured in zinc galvanized steel covered with epoxy paint.
- Connecting parts made of brass.
- Water pressure, minimum 0,2 MPa – maximum 0,5 MPa.
- Water flow: 14 l/min ± 10% .
- Water inlet dimension: 1/2".
- Outlet dimension: 1+1/4".
- Dimensions: 1020 mm high, basin Ø 260 mm.

TECHNICAL DRAWING



SUGGESTED TEXT FOR PRESCRIPTION

NOFER or similar floor emergency eyewash equipment. Instant automatic opening activated by lateral lever or foot pedal. Manufactured in zinc galvanized steel covered with green epoxy paint. Eyewash basin made of stainless steel. Dimensions: 1020 mm high, basin Ø 260 mm.



NOFER S.L.  
 Avenida de la fama, 118  
 08940 · Cornellà de Llobregat (Barcelona)  
 Tel +34 934 742 423 · Fax +34 934 743 548  
 export@nofer.com · www.nofer.com

Related Products



SC700



SC710



SC380



SC820



SC800



SC730