

Automatic electronic hand dryer

- Automatic electronic stainless steel hand dryer.
- Model for mounting on the surface.
- Stainless steel sheet housing white finish. Also available in satin finish (NOFER 01600.S) and polish finish (NOFER 01600.B).
- Suitable for collectivities. Especially suitable for adapted spaces.
- Robust ,anti-vandal and safe because it is built without sharp edges or other dangerous elements.
- In accordance with European safety directives (EC).


TECHNICAL DATA

- Housing made of one piece white finish of AISI 304 stainless steel (e=1,2 mm).
- Electronic infrared sensor that stops the hand dryer when the hands leave the activate range.
- Air temperature (environment 20°C): 39°C to 10 cm.
- Motor of universal type without brushes (does not require maintenance).
- Motor speed: 8300 r.p.m.
- Air speed: 90 km/h.
- Total power: 2350 W.
- Motor power: 250 W.
- Voltage/Frequency: 220-240 - 50/60 Hz.
- Electric insulation: Class I.
- Distance to the sensor: 5-20 cm (with possibility of regulation).
- Maximum consumption of 9,56 A.
- Noise level at 2 meters: 69 dBA.
- Protection index: IPX1.
- Dimensions: 269 height x 363 width x 100 depth (mm).
- Net weight: 4 kg.
- Function: place your hands under the appliance. The hand dryer will start automatically and it continues working while the hands are within the active range. The device switches off after a few seconds of removal.
- Cleaning: we recommend cleaning with a cotton cloth slightly moistened with a soap solution. Then dry it.
- Estimated drying time: 33 seconds.

SUGGESTED TEXT FOR PRESCRIPTION

NOFER hand dryer, with AISI 304 stainless steel housing white finish, hot air operated with electronic sensor, 2350 W power and temperature of 39°C. Motor speed 8300 r.p.m. Dimensions: 269 height x 363 width x 100 depth (mm).



NOFER S.L.
 Avenida de la fama, 118
 08940 · Cornellà de Llobregat (Barcelona)
 Tel +34 934 742 423 · Fax +34 934 743 548
 nofer@nofer.com · www.nofer.com

Related Products

01451.B

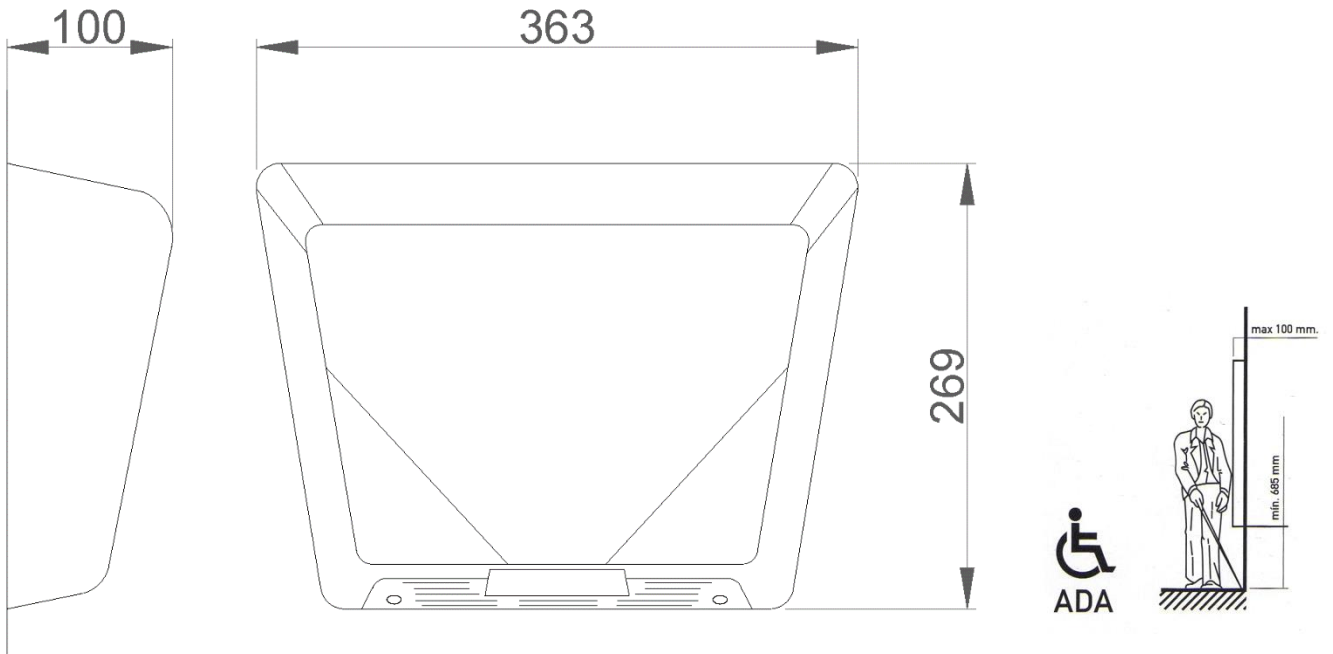
01461.W

01451.W

01600.B

01600.S

TECHNICAL DRAWING



DIMENSIONS IN mm



NOFER S.L.
Avenida de la fama, 118
08940 · Cornellà de Llobregat (Barcelona)
Tel +34 934 742 423 · Fax +34 934 743 548
nofer@nofer.com · www.nofer.com