

**Stainless steel toilet pan**

- Stainless steel toilet floor pan with horizontal / vertical outlet.
- Vandal proof, totally welded and polished without cutting edges.
- Designed for high frequency public bathrooms.
- Easy to clean.
- Durability and resistance against rust.
- Satin finished, also available polish finished (NOFER 13013.B).


**TECHNICAL DATA**

- Made of AISI 304 Stainless steel (1-1.2 mm thickness).
- Dimensions: 390 height x 355 width x 640 depth (mm).
- Water inlet connection Ø60 mm (includes rubber adaptor Ø32 mm) and outlet drain pipe Ø100 mm.
- Holes not included - drilling is optional.
- Horizontal outlet drain pipe. Optional vertical outlet, adding the 90° bent WC pipe connection (NOFER 13111). Optional horizontal water outlet, adding a straight WC pipe connection (NOFER 13112).
- Suitable for manual or automatic flusher systems.
- Optionally cover available in ABS (15028), wood (15031) or stainless steel (15029).
- Maintenance: Stainless steel needs maintenance because dust can eventually damage the chrome in stainless steel. We recommend monthly cleaning with a stainless steel special cleaner.

**SUGGESTED TEXT FOR PRESCRIPTION**

Toilet floor pan NOFER with horizontal or vertical outlet, made of AISI 304 stainless steel. Dimensions: 390 height x 355 width x 640 depth (mm). Water inlet connection Ø32 mm and outlet drain pipe Ø100 mm.



NOFER S.L.  
 Avenida de la fama, 118  
 08940 · Cornellà de Llobregat (Barcelona)  
 Tel +34 934 742 423 · Fax +34 934 743 548  
 export@nofer.com · www.nofer.com

**Related Products**

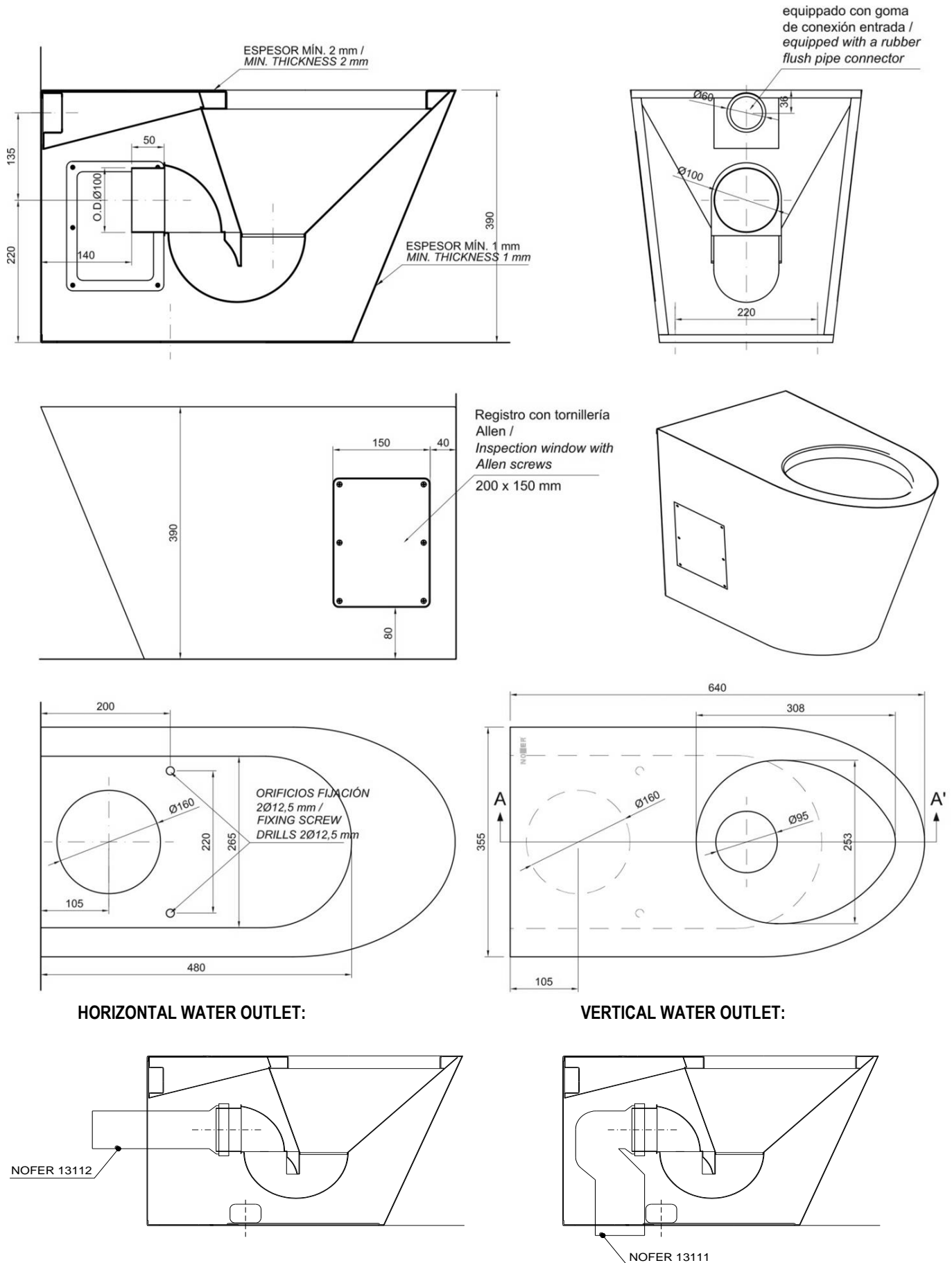
**13004.P.B**

**13002.S**

**13012.S**

**13018**

TECHNICAL DRAWING



Dimensions in mm