

Soap dish

- Soap dish made of stainless steel AISI 304.
- Durability and resistance against corrosion.
- Suitable for public areas.
- Polish finished.



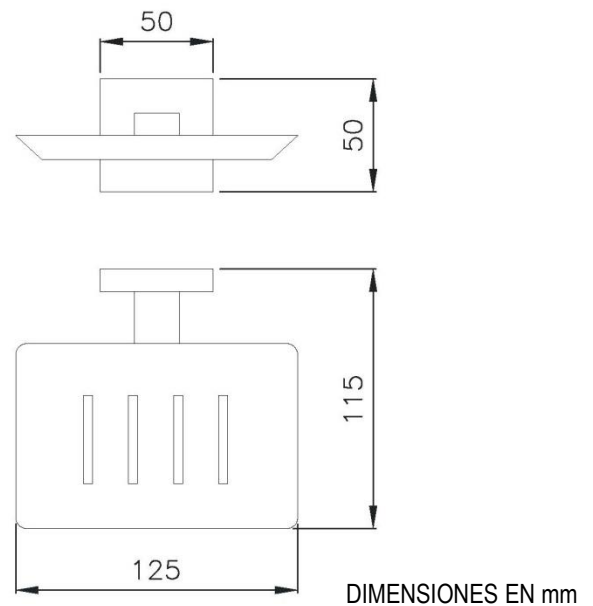
TECHNICAL DATA

- Made of stainless steel AISI 304.
- Dimensions: 50 height x 125 width x 115 depth (mm).
- Equipped with fixing materials.
- Maintenance: stainless steel needs maintenance because dust can eventually damage the chrome in stainless steel. We recommend monthly cleaning with a stainless steel special product.

SUGGESTED TEXT FOR PRESCRIPTION

NOFER soap dish, made of polish finished AISI 304 stainless steel. Dimensions: 50 height x 125 width x 115 depth (mm).

TECHNICAL DRAWING



NOFER S.L.  
 Avenida de la fama, 118  
 08940 · Cornellà de Llobregat (Barcelona)  
 Tel +34 934 742 423 · Fax +34 934 743 548  
 export@nofer.com · www.nofer.com

Related Products



16906.B



16901.B



16902.B



16910.B



16907.B



16905.B