

Soap dish

- Soap dish.
- Durability and resistance against corrosion.
- Suitable for public areas with high frequency use.



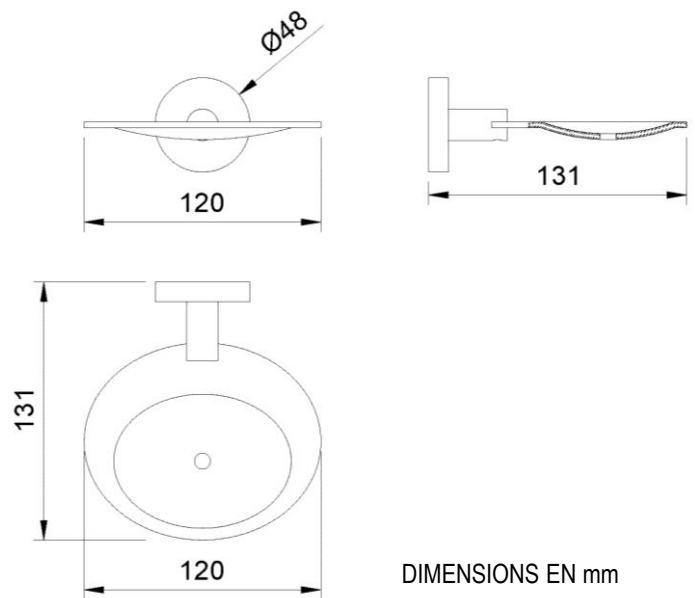
TECHNICAL DATA

- Made in chrome plated brass.
- Dimensions: 50 height x 145 width x 128 depth (mm).
- Hidden wall fixations included.

SUGGESTED TEXT FOR PRESCRIPTION

NOFER soap dish, made in chrome plated brass. Dimensions: 50 height x 145 width x 128 depth (mm).

TECHNICAL DRAWING



NOFER S.L.
 Avenida de la fama, 118
 08940 · Cornellà de Llobregat (Barcelona)
 Tel +34 934 742 423 · Fax +34 934 743 548
 export@nofer.com · www.nofer.com

Related Products

