

Folding seat mural

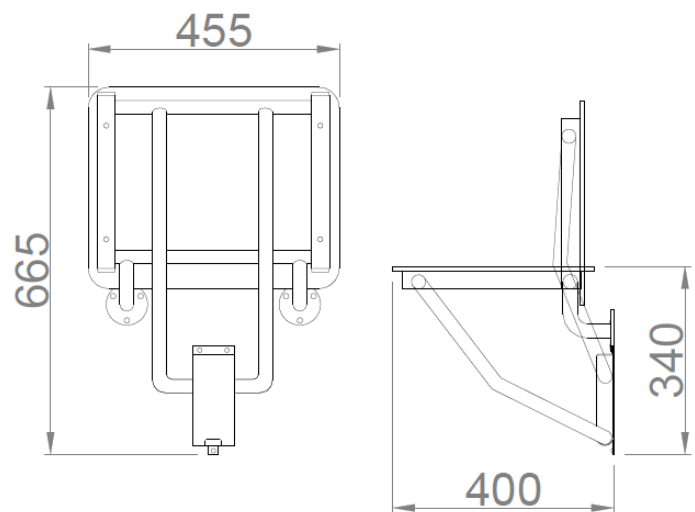
- Folding seat in stainless steel AISI 304 satin finish and phenolic board seat.
- Designed to be fixed on the wall and folded when not in use.
- Suitable for collectivities and suitable for environment adapted to people with reduced mobility.
- Durability, water resistant and easy cleaning.


TECHNICAL DATA

- Structure made of AISI 304 stainless steel, satin finish.
- Tubular profiles of Ø25 mm and square profiles of 30 x 30 mm.
- Perforated phenolic board seat for water drainage 8 mm thick.
- Seat dimensions: 455 width x 370 depth (mm).
- Overall dimensions: 340 height x 455 width x 400 depth (mm).
- Seat depth closed: 145 mm.
- Recommended seat installation height: 450-500 mm from the ground.
- Stainless steel screws included.
- Two plates with 3 anchoring points in stainless steel AISI 304.
- Guide plate for opening and closing the seat, made of AISI 304 stainless steel.
- Maximum weight supported 110 kg approx. (performing an appropriate installation).
- Maintenance: stainless steel requires maintenance since dirt over time can be useful to remove the chromium (Cr) that contains the stainless steel. We recommend a monthly cleaning with a specialized product for stainless steel.

SUGGESTED TEXT FOR PRESCRIPTION

NOFER folding seat in AISI 304 stainless steel and white phenolic board seat. Seat dimensions: 455 width x 370 depth (mm). Overall dimensions: 340 height x 455 width x 400 depth (mm).

TECHNICAL DRAWING


DIMENSIONS IN mm



NOFER S.L.
 Avenida de la fama, 118
 08940 · Cornellà de Llobregat (Barcelona)
 Tel +34 934 742 423 · Fax +34 934 743 548
 nofer@nofer.com · www.nofer.com

Related Products


15045.S



15046.S



15066.S