

Pedestal emergency eyewash

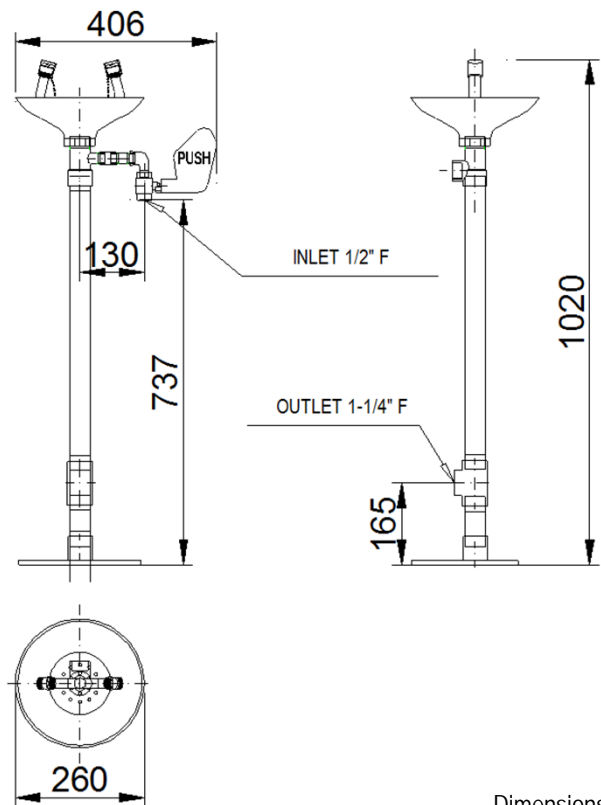


- Floor emergency eyewash equipment.
- High water flow and low water pressure with total way out valve.
- Instant automatic opening and closing activated by lateral lever.
- Double aerated jet with dust cover.
- Green color RAL 6029.
- Suitable for industries, laboratories and generally where there is risk of personal damages from fire, acids, chemical reactants, petroleum products, radioactive materials or other contaminants.
- CE conformity.

TECHNICAL DATA

- Eyewash basin and double arms in stainless steel.
- Manufactured in zinc galvanized steel covered in epoxy paint.
- Connecting parts in brass.
- Water pressure, minimum 1.5 – maximum 5 bar.
- Water inlet dimension: 1/2".
- Outlet dimension: 1+1/4".
- Dimensions: 1020 high x 406 wide mm. Basin Ø 260 mm.

TECHNICAL DRAWING



Dimensions in mm

SUGGESTED TEXT FOR PRESCRIPTION

NOFER or similar floor emergency eyewash equipment. Instant automatic opening and closing activated by lateral lever. Manufactured in zinc galvanized steel covered in epoxy paint. Eyewash basin and arms made of stainless steel. Dimensions: 1020 high x 406 wide mm. Basin Ø 260 mm.



NOFER S.L.
 Avenida de la fama, 118
 08940 · Cornellà de Llobregat (Barcelona)
 Tel +34 934 742 423 · Fax +34 934 743 548
 export@nofer.com · www.nofer.com

Related Products

