

Soap holder

- Soap holder with wall support.
- Durability and resistance against rust and corrosion.
- Easy to install and clean.



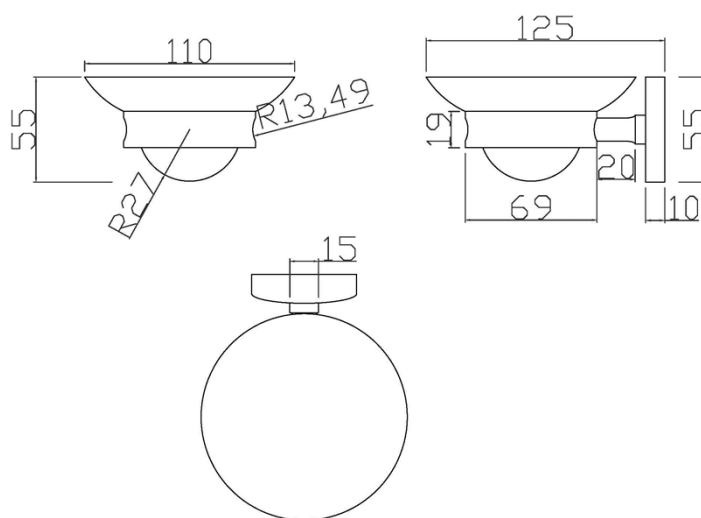
TECHNICAL DATA

- Soap holder made of glass and support made of polish chromed brass.
- Dimensions: 55 height x 110 width x 125 depth (mm).
- Wall hidden fixings included.

SUGGESTED TEXT FOR PRESCRIPTION

NOFER soap holder made of glass with wall support made of polish chromed brass. Dimensions: 55 height x 110 width x 125 depth (mm).

TECHNICAL DRAWING



NOFER S.L.
 Avenida de la fama, 118
 08940 · Cornellà de Llobregat (Barcelona)
 Tel +34 934 742 423 · Fax +34 934 743 548
 export@nofer.com · www.nofer.com

Productos
Relacionados



16370.B



16381.B



16379.B



16373.B



16374.B



16376.B