

Stainless steel hook

- Stainless steel hook.
- Suitable for public areas.
- Resistance and durability.
- Satin finished. Also available in polish finish (NOFER 09018.B).



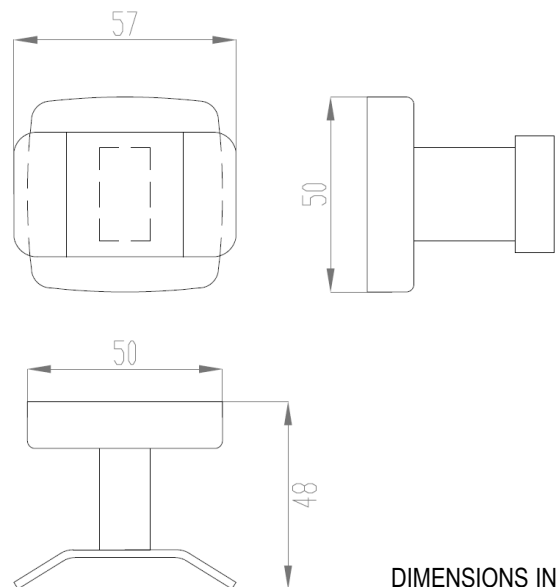
The image corresponds to the code 09018.B

TECHNICAL DATA

- Made in AISI 304 stainless steel, satin finish.
- Dimensions: 50 height x 57 width x 48 depth (mm).
- Wall support dimensions: 50 height x 50 width (mm).
- Includes mounting components.
- Maintenance: stainless steel needs maintenance because dust can eventually damage the chrome in stainless steel. We recommend monthly cleaning with our special product.

SUGGESTED TEXT FOR PRESCRIPTION

NOFER hook, made in AISI 304 stainless steel, satin finish.
Dimensions: 50 height x 57 width x 48 depth (mm).

TECHNICAL DRAWING


NOFER S.L.
Avenida de la fama, 118
08940 · Cornellà de Llobregat (Barcelona)
Tel +34 934 742 423 · Fax +34 934 743 548
nofer@nofer.com · www.nofer.com

Related Products

09016.S

09017.S

09019.S

09020.B

09021.B

16409.B