

Paper towel dispenser

- Paper towel dispenser.
- Designed for wall mounting.
- Transparent front content visor.



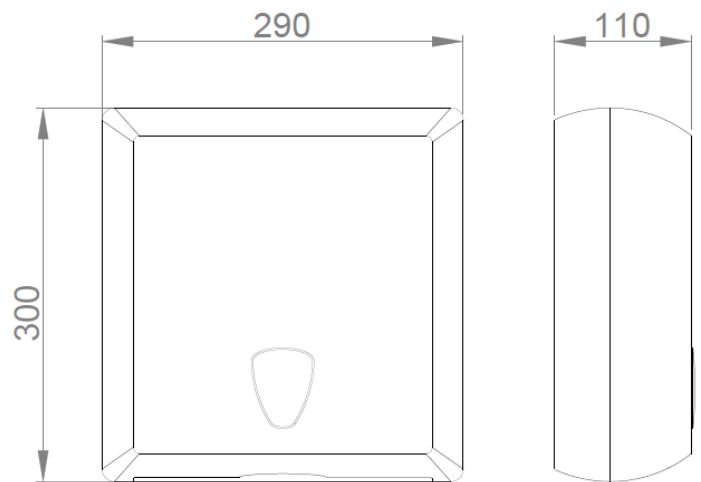
COMPONENTS AND SPECIFICATIONS

- Manufactured in black and transparent ABS.
- Dimensions: 300 height x 290 width x 110 depth (mm).
- Capacity: 250 towels folded in Z or C.
- Mounting screws included.

SUGGESTED TEXT FOR PRESCRIPTION

Paper towel dispenser NOFER or equivalent, with front content visor. For wall mounting, in black and transparent ABS. Dimensions: 300 height x 290 width x 110 depth (mm). Capacity: 250 towels folded in C or Z.

TECHNICAL DRAWING



DIMENSIONS IN mm



NOFER S.L.
 Avenida de la fama, 118
 08940 · Cornellà de Llobregat (Barcelona)
 Tel +34 934 742 423 · Fax +34 934 743 548
 export@nofer.com · www.nofer.com

Related Products

