

Wall mounted hair dryer


- Wall mounted hair dryer with hot airflow.
- Two speeds.
- Security switch ON/OFF.
- Wall base mounting support with two plugs.
- EU/USA plug for shavers.
- Suitable for public places and hotels.

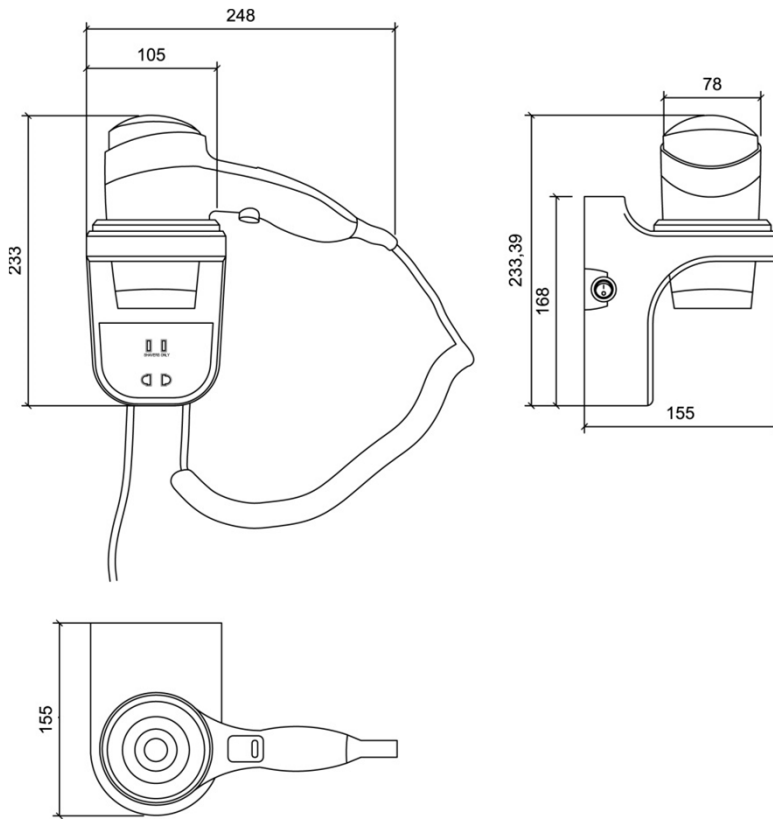
TECHNICAL DATA

- Hair dryer and support made of white ABS with diffuser and air inlet in chromed ABS.
- Maximum dimensions: 233 height x 248 width x 155 depth (mm).
Maximum cable length 1000 mm.
- Weight: 1,4 Kg.
- Voltage: 220-240 V~ 50/60 Hz.
- Power: 2200 W (máx.) – 1800 (min).
- Electrical isolation: Class II. Protection index: IP20.
- Effective flow: 1300 l/ min.
- Sound pressure (2 m): 62 dbA.
- Outlet temperature (Environmental T^a: 20° C): 65°C at 10 cm.
- Fixation material included.

SUGGESTED TEXT FOR PRESCRIPTION

Hair dryer NOFER wall based with hot airflow. Two speeds. Max. Power 1800 – 2200 W. Dimensions: 233 height x 248 width x 155 depth (mm).

TECHNICAL DRAWING

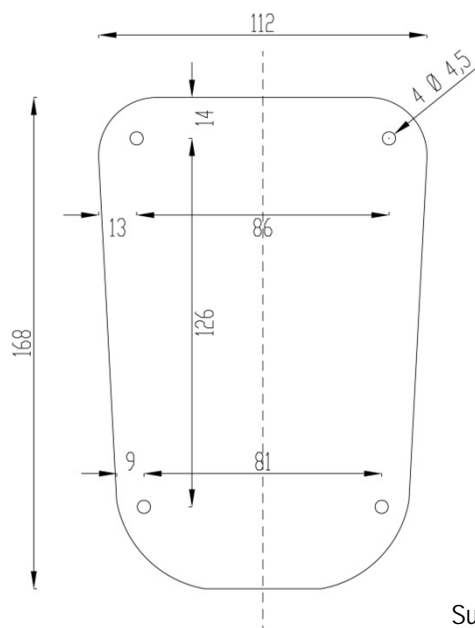


Dimensions in mm

SETTING UP

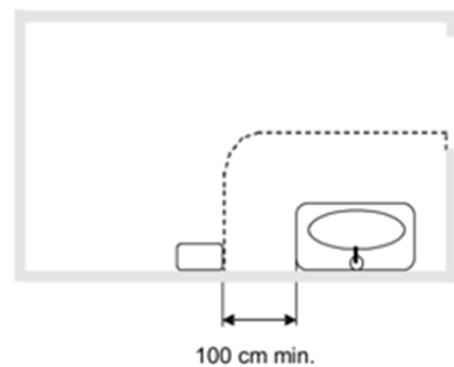
To the hair dryer set up, place the ring support where you want to install the hair dryer. Using it as a template, mark the position of the drills at the wall, then make the holes with a 6 mm drill. Introduce the wall plugs into the holes, place the ring and thread the screws. After, connect the plug-in. Once it is done, the hair dryer is ready to use.

The setting up should be as the fig-0 shows. Recommended height is 130 – 150 cm to the ground, or 110 in case of adapted bathrooms.



Support dimensions in mm

Fig-0



100 cm min.



NOFER S.L.
 Avenida de la fama, 118
 08940 - Cornellà de Llobregat (Barcelona)
 Tel +34 934 742 423 · Fax +34 934 743 548
 export@nofer.com · www.nofer.com