

Toilet paper reserve

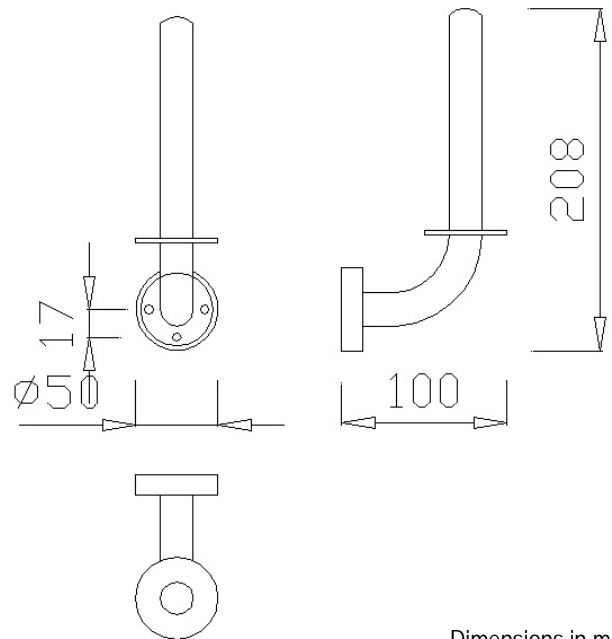
- Toilet paper reserve in chrome plated brass.
- Durability and resistance to corrosion.
- Suitable for collectivities.
- Polish finish.


TECHNICAL DATA

- Made of chrome plated brass.
- "L" shaped Ø 20 mm tube.
- Dimensions: 208 high x 50 wide x 100 deep mm. Wall support Ø 50 mm.
- Net weight: 0,3 Kg.
- Hidden anchor mechanism. Wall fixing materials included.

SUGGESTED TEXT FOR PRESCRIPTION

Toilet paper reserve NOFER or similar, in chrome plated brass. Polish finish. Dimensions: 208 high x 50 wide x 100 deep mm. Wall support Ø 50 mm.

TECHNICAL DRAWING


Dimensions in mm



NOFER S.L.
 Avenida de la fama, 118
 08940 · Cornellà de Llobregat (Barcelona)
 Tel +34 934 742 423 · Fax +34 934 743 548
 nofer@nofer.com · www.nofer.com

Related Products

