

Folding Seat

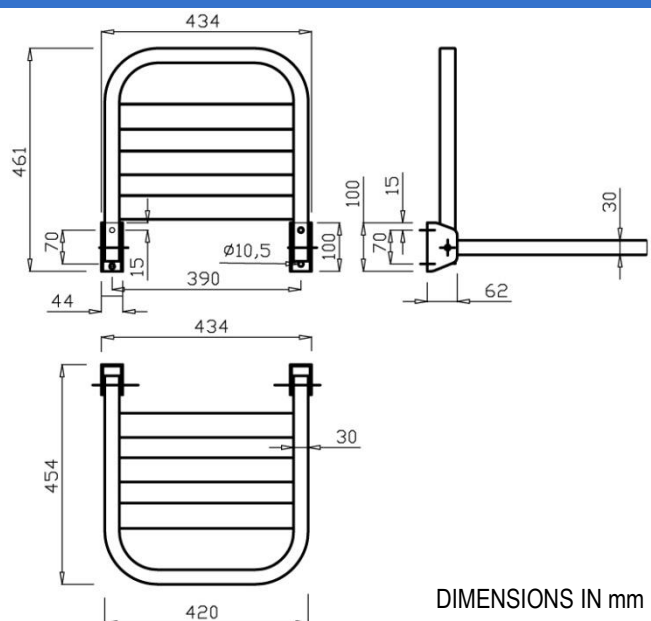
- Folding seat for shower.
- To fix to wall.
- Durability, resistance. Easy to clean.
- Designed for adapted toilets and disabled people.
- Lockable when the seat is upright.
- The seat must be in horizontal position to use it. The vertical position is only for accessibility.


TECHNICAL DATA

- Made of AISI 304 stainless steel, satin finish.
- 32 mm side square pipes structure. Thickness: 1,5 mm.
- Sitting surface formed by 3 bars 50 x 15 mm (thickness: 1,5 mm).
- Maximum weight capacity: 163 kg.
- Installation height recommended: 45 - 50 to floor.
- Horizontal position dimensions: 100 height x 420 width x 454 depth (mm).
- Vertical position dimensions: 461 height x 420 width x 62 depth (mm).
- Net weight: 3 kg.
- Wall anchor plates dimensions: 80 height x 95 wide (mm).

TEXT SUGGESTED FOR PRESCRIPTION

Shower folding seat NOFER, to fix to wall. Made of AISI 304 stainless steel satin finish, sheet thickness 1,5 mm. Dimensions: 100 height x 420 width x 454 depth (mm).

TECHNICAL DRAWING


DIMENSIONS IN mm



NOFER S.L.
 Avenida de la fama, 118
 08940 · Cornellà de Llobregat (Barcelona)
 Tel +34 934 742 423 · Fax +34 934 743 548
 nofer@nofer.com · www.nofer.com

Related Products

15042.N

15043.N

15044.N