



Support bar at 135° angle to be fixed to the wall with 3 anchorage points. Stainless steel. Shiny finish

#### Description

- Fixed support bar at 135° angle for wall mounting.
- AISI 304 stainless steel, glossy finish. Available also in satin finish (NOFER 15161.S), black (NOFER 15161.N) and white finish (NOFER 15161.W).
- With three anchor points.
- Suitable for support in sinks, wc-bidé, showers and bathtubs.
- Designed for toilets and bathrooms adapted for people with reduced mobility.

#### Suggested text for prescription

NOFER angular fixed support bar in AISI 304 stainless steel, glossy finish.  
Dimensions between axes: arms 400 mm. Bar Ø32 mm.

#### Components

- With anticonductive kit and hardware included.

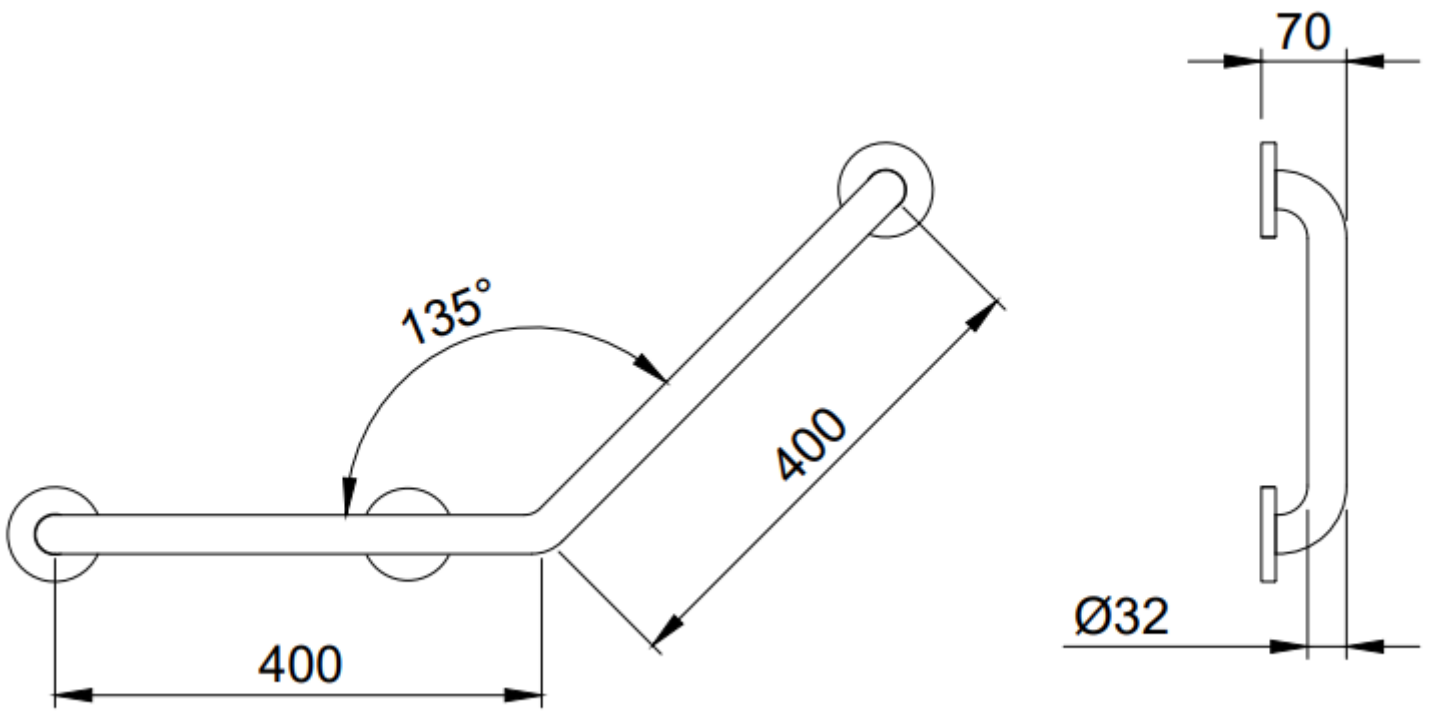
#### Technical characteristics

**Material:** AISI 304 stainless steel  
**Finishing:** Brightness  
**Bar diameter:** Ø32 mm  
**Bar thickness:** 1.2 mm  
**Angle:** 135°  
**Diameter of fleurons:** Ø78 mm

#### Maintenance

Stainless steel requires maintenance as dirt over time can damage the chromium (Cr) contained in stainless steel. We recommend a monthly cleaning with a specialized product for stainless steel.

#### Dimensional drawing



Ctra. Laureà Miró,  
 385-387  
 08980 | Sant  
 Feliu de  
 Llobregat,  
 Barcelona - Spain  
 T. +34 934 742  
 423  
 F. +34 934 743  
 548  
 nofer@nofer.com  
 www.nofer.com  
 www.nofer.com

RELATED  
 PRODUCTS



15058.W



15059.B



15059.W

These specifications may be modified and/or amended due to manufacturing requirements.