

Folding shower seat

- Folding seat to fix to anti-bacteria polypropylene wall.
- With two anchor points.
- Designed for toilets and bathrooms adapted to people with reduced mobility.



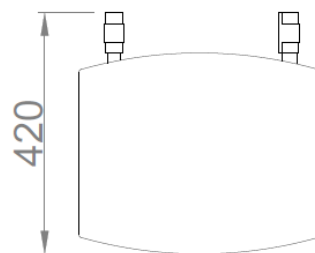
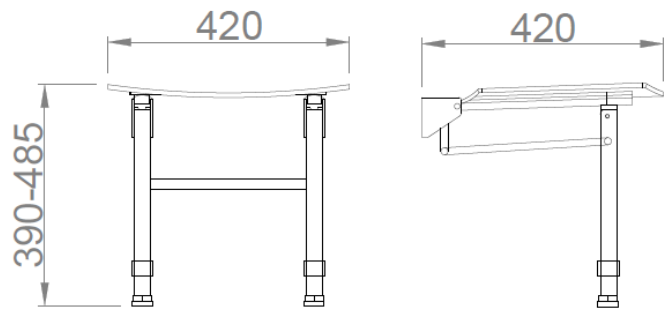
TECHNICAL DATA

- Made of white polypropylene with anti-bacteria protection
- Supports made of stainless steel AISI 304
- Seat dimensions: 390 or 485 height x 420 width x 420 depth (mm).
- Recommended installation height 45-50 cm from the seating area to the finished floor.
- Adjustable legs.

SUGGESTED TEXT FOR PRESCRIPTION

NOFER seat made of white polypropylene with anti-bacteria protection. Support made of AISI 304 stainless steel. Seat dimensions: 390 or 485 height x 420 width x 420 depth (mm).

TECHNICAL DRAWING



DIMENISONS IN mm



NOFER S.L.
 Avenida de la fama, 118
 08940 · Cornellà de Llobregat (Barcelona)
 Tel +34 934 742 423 · Fax +34 934 743 548
 nofer@nofer.com · www.nofer.com

Productos Relacionados

