

Automatic electronic hand dryer

- Hand dryer powered by electronic sensor.
- Model for mounting on the surface.
- Stainless steel sheet housing polish finish. Also available in satin finish (NOFER 01151.S) and white epoxy painted finish (NOFER 01151.W).
- Suitable for collectivities and places of high frequency of use.
- Indicated for uninterrupted use. Top quality components.
- Robust, anti-vandalism and safe because it is built without sharp edges or other dangerous elements.
- In accordance with European safety directives (EC).


TECHNICAL DATA

- Housing made of a single piece of AISI 304 stainless steel, polish finish of 1,5 mm thickness.
- Nozzle made in chrome-finished Zamak (thickness = 22µ).
- Wall fixation by 4 drills (Ø8 mm). Fixing material included.
- Electronic infrared sensor that stops the function when the hands leave the active range or after about 120 seconds.
- Air temperature (air temperature of 20°C): 53°C to 10 cm.
- Fire resistant phenoplastic polymer turbine body.
- Universal motor with brushes.
- Motor speed: 7000 r.p.m.
- Total power: 2450 W.
- Electrical resistance power: 2200 W.
- Motor power: 250 W.
- Voltage/Frequency: 220-240 V - 50/60 Hz.
- Electrical isolation: Class I.
- Overheating resistance thermostat, regulated at 105°C.
- Automatic stop due to vandalism.
- Sensor distance: 10-15 cm.
- Sensor can be adjusted: up to 30 cm.
- Maximum consumption of 10,6 A.
- Noise level from 2 meters: 70 dBA.
- Protection index: IPX1.
- Air flow: 5500 l/min, speed 117 km/h.
- Dimensions: 280 height x 280 width x 210 depth (mm).
- Net weight: 5,5 kg.
- Electrical protection of the motor: fuse. Electrical protection of the resistance: internal thermostat.
- Function: place your hands under the appliance. The dryer will start automatically and it continues working while the hands are within the active range. The device switches off after a few seconds of removal.
- Cleaning: we recommend cleaning with a cotton cloth slightly moistened with a soap solution. Then dry it.
- Estimated drying time: 28 seconds.

SUGGESTED TEXT FOR PRESCRIPTION

NOFER hand dryer, with AISI 304 stainless steel housing polish finish, hot air driven by electric sensor, 2450 W power and temperature of 53°C. Motor speed 6500 r.p.m. Dimensions: 280 height x 280 width x 210 depth (mm).



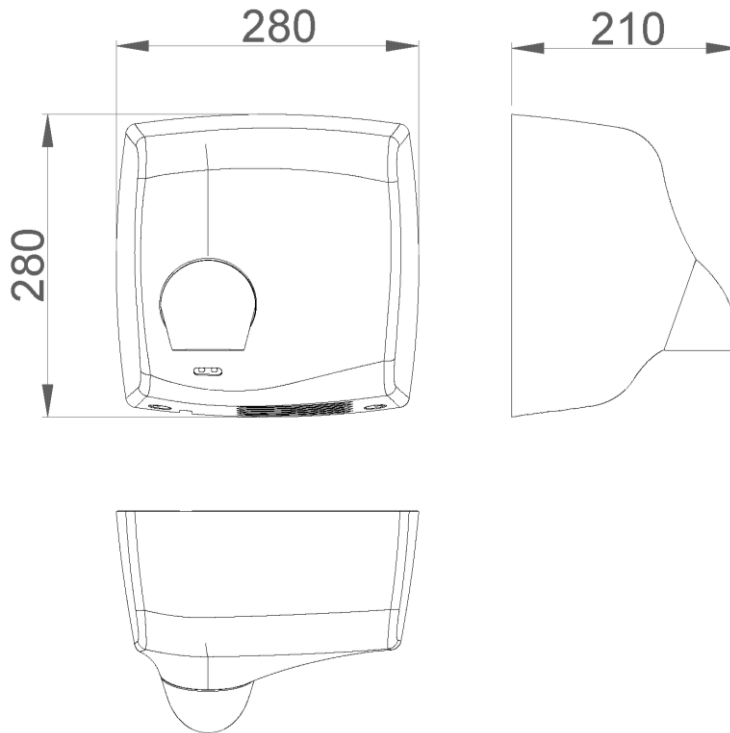
NOFER S.L.
 Avenida de la fama, 118
 08940 · Cornellà de Llobregat (Barcelona)
 Tel +34 934 742 423 · Fax +34 934 743 548
 nofer@nofer.com · www.nofer.com

Related Products

01151.S

01151.W

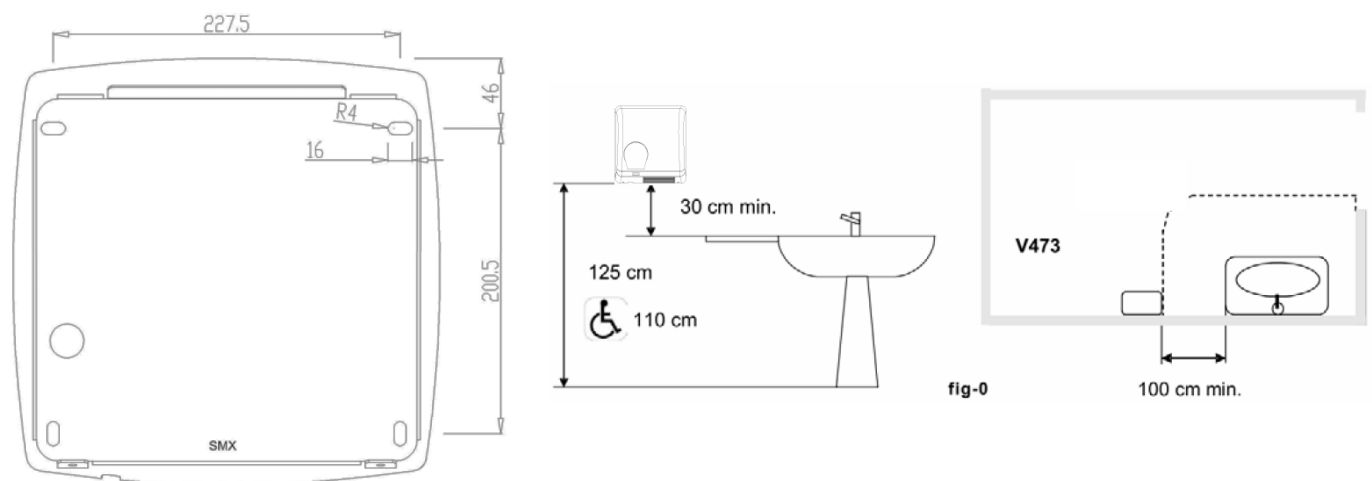
TECHNICAL DRAWING



DIMENSIONS IN mm

INSTALLATION

In toilet areas with a high frequency use, the recommendation is to install one hand dryer for each toilet. In toilet areas with a lower frequency of use, the recommendation is to install one hand dryer for every two sinks or two dryers for every three washbasins. Installation should be as shown in fig-0. In case of installation on marble or shiny surfaces, it should be located 40 cm above the surface.



NOFER S.L.
 Avenida de la fama, 118
 08940 · Cornellà de Llobregat (Barcelona)
 Tel +34 934 742 423 · Fax +34 934 743 548
 nofer@nofer.com · www.nofer.com