

Automatic electronic hand dryer


- Ultra-fast hand dryer with electronic sensor.
- Model for mounting on the surface.
- Housing in ABS white finish.
- Suitable for collectivities and places of high frequency of use.
- Robust, anti-vandalism and safe because it's built without sharp edges or other dangerous elements.
- In accordance with European safety directives (EC).

TECHNICAL DATA

- Housing made of one piece white finish of ABS (e=1,2 mm).
- Wall fixation with 4 drills (drill bit 8 mm). Screws and bolts included.
- Electronic infrared sensor that stops the hand dryer when the hands leave the activate range.
- Air temperature (environment 20°C): 40°C to 10 cm.
- Motor of universal type without brushes (does not require maintenance).
- Motor speed: 35000 r.p.m.
- Air speed: 305 km/h.
- Total power: 800 W.
- Motor power: 800 W.
- Voltage/frequency: 220-240 V - 50/60 Hz.
- Electric insulation: Class I.
- Sensibility sensor: 8-50 cm.
- Thermostat overheating resistance (automatic reset).
- Double safety thermal fuse calibrated at 133°C.
- Distance to the sensor: 0-20 (with possibility of regulation).
- Maximum consumption of 3,5 A.
- Noise level at 2 meters: 72 dBA.
- Protection index: IPX1.
- Dimensions: 325 height x 255 width x 152 depth (mm).
- Packing dimensions: 360 height x 300 width x 180 depth (mm).
- Total net weight: 4,9 kg.
- Weight with individual packing: 5,3 kg.
- Function: place your hands under the appliance. The dryer will start automatically and it continues working while the hands are within the active range. The device switches off after a few seconds of removal.
- Cleaning: we recommend cleaning with a cotton cloth slightly moistened with a soap solution. Then dry it.
- Estimated drying time: 10-12 seconds.

SUGGESTED TEXT FOR PRESCRIPTION

NOFER hand dryer, with ABS housing white finish, hot air operated with electronic sensor, 800 W power and temperature of 40°C. Motor speed 35000 r.p.m. Dimensions: 325 height x 255 width x 152 depth (mm).



NOFER S.L.
 Ctra. Laureà Miró, 385-387
 08980 · Sant Feliu de Llobregat (Barcelona)
 Tel +34 934 742 423 · Fax +34 934 743 548
 nofer@nofer.com · www.nofer.com

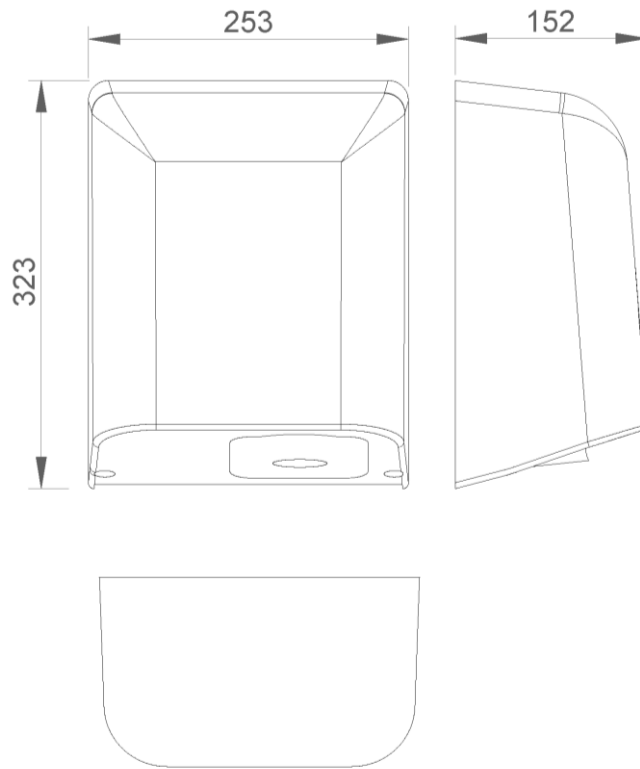
Related Products

01851.B

01851.S

01851.W

ESQUEMA DIMENSIONAL



DIMENSIONES EN mm

RECOMENDACIONES DE INSTALACIÓN

En las zonas de aseo con una frecuencia de uso alta, la recomendación es instalar un secamanos por lavabo. En las zonas de aseo con una frecuencia de uso menor, la recomendación es instalar un secamanos por cada dos lavabos o dos secamanos por cada tres lavabos. La colocación del secamanos se realizará como se indica en fig-0. En el caso de instalarse sobre mármol o repisas brillantes, se recomienda elevar la altura sobre la superficie a 40 cm.

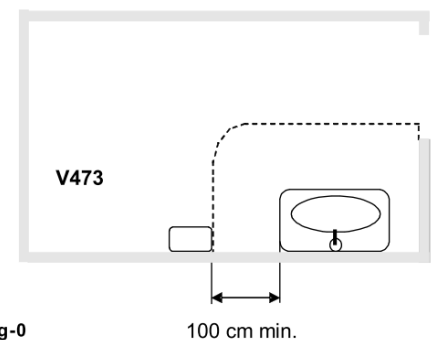
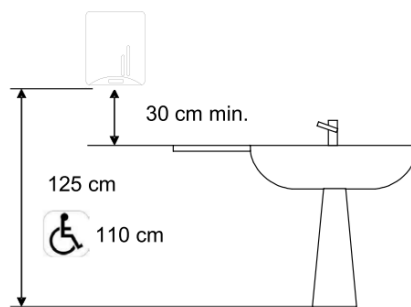
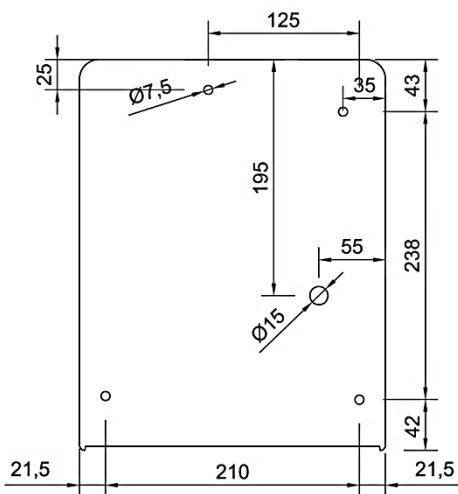


fig-0



NOFER S.L.
 Ctra. Laureà Miró, 385-387
 08980 · Sant Feliu de Llobregat (Barcelona)
 Tel +34 934 742 423 · Fax +34 934 743 548
 nofer@nofer.com · www.nofer.com