

**Automatic electronic hand dryer**


- Hand dryer with electronic sensor.
- Model for mounting on the surface.
- Stainless steel sheet housing black finish. Also available in satin finish (NOFER 01831.S), polish finish (NOFER 01831.B) and other colors.
- Suitable for collectivities and places of high frequency of use.
- Robust, anti-vandalism and safe because it's built without sharp edges or other dangerous elements.
- In accordance with European safety directives (EC).

**TECHNICAL DATA**

- Housing made of one piece black finish of AISI 304 stainless steel (e=1,2 mm).
- Wall fixation with 4 drills (drill bit 8 mm). Screws and bolts included.
- Electronic infrared sensor that stops the hand dryer when the hands leave the activate range.
- Air temperature (environment 20°C): 40°C to 10 cm.
- Motor of universal type without brushes (does not require maintenance).
- Motor speed: 35000 r.p.m.
- Air speed: 305 km/h.
- Total power: 800 W.
- Motor power: 800 W.
- Voltage/Frequency: 220-240 - 50/60 Hz.
- Electric insulation: Class I.
- Thermostat overheating resistance (automatic reset).
- Double safety thermal fuse calibrated at 133°C.
- Distance to the sensor: 0-20 cm (with possibility of regulation).
- Maximum consumption of 3,5 A.
- Noise level at 2 meters: 72 dBA.
- Protection rating against water projections: IPX1.
- Dimensions: 327 height x 164 width x 151 depth (mm).
- Packing dimensions: 360 height x 215 width x 180 depth (mm).
- Total net weight: 4,7 kg.
- Weight with individual packing: 5,1 kg.
- Function: place your hands under the appliance. The hand dryer will start automatically and it continues working while the hands are within the active range. The device switches off after a few seconds of removal.
- Cleaning: we recommend cleaning with a cotton cloth slightly moistened with a soap solution. Then dry it.
- Estimated drying time: 10-12 seconds.
- Mounting to more than 20 cm of any surface.

**SUGGESTED TEXT FOR PRESCRIPTION**

NOFER hand dryer, with AISI 304 stainless steel housing black finish, hot air operated with electronic sensor, 800 W power and temperature of 40°C. Motor speed 35000 r.p.m. Dimensions: 327 height x 164 width x 151 depth (mm).



NOFER S.L.  
 Ctra. Laureà Miró, 385-387  
 08980 · Sant Feliu de Llobregat (Barcelona)  
 Tel +34 934 742 423 · Fax +34 934 743 548  
 nofer@nofer.com · www.nofer.com

**Related products**

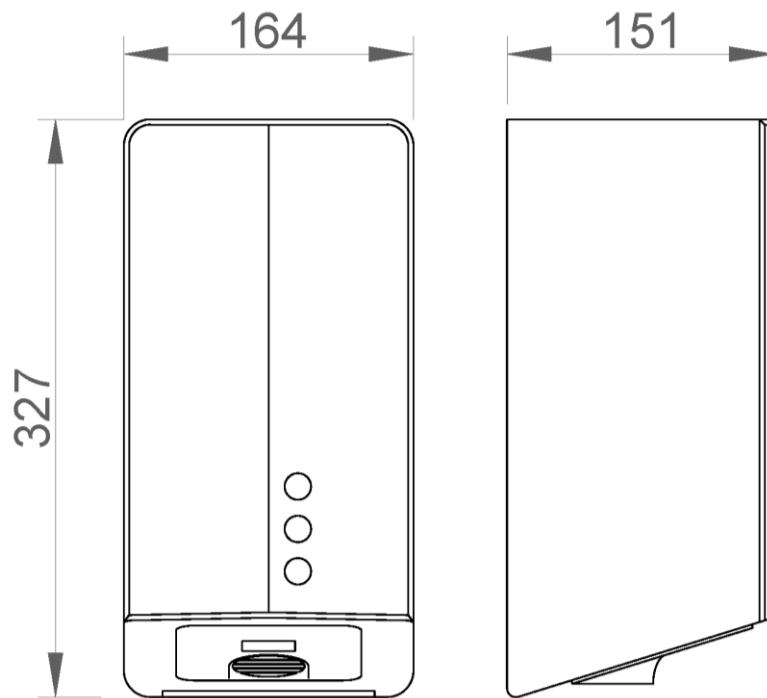
**01451.B**

**01461.W**

**01831.S**

**01451.W**

TECHNICAL DRAWING



DIMENSIONS IN mm



NOFER S.L.  
 Ctra. Laureà Miró, 385-387  
 08980 · Sant Feliu de Llobregat (Barcelona)  
 Tel +34 934 742 423 · Fax +34 934 743 548  
 nofer@nofer.com · www.nofer.com