

Soap dispenser

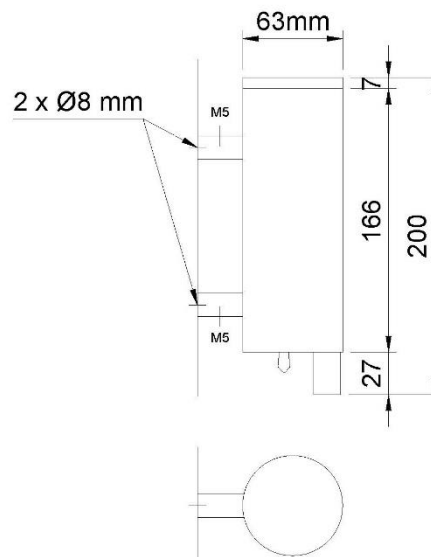
- Soap dispenser with manual push button.
- Designed for wall mounting, leaving the anchor hidden.
- Safety cap against theft with key.
- Durability and ease of cleaning.


TECHNICAL DATA

- Made of AISI 304 stainless steel, satin finished.
- Dimensions: 200 mm height and Ø63 mm.
- Capacity: 300 ml.
- Hidden wall fixings. Distance between fasteners to wall: 110 mm.
- Maintenance: Stainless steel needs maintenance because dust can eventually damage the chrome in stainless steel. We recommend monthly cleaning with our special product.

SUGGESTED TEXT FOR PRESCRIPTION

NOFER soap dispenser, made in AISI 304 stainless steel, manually operated, for wall mounting with hidden fixings. Dimensions: 200 mm height x Ø63 mm.

TECHNICAL DRAWING


DIMENSIONS IN mm



NOFER S.L.
 Avenida de la fama, 118
 08940 · Cornellà de Llobregat (Barcelona)
 Tel +34 934 742 423 · Fax +34 934 743 548
 export@nofer.com · www.nofer.com

Related Products


03033



03008



03025.S



03022.S



03001.S