

**Automatic electronic hand dryer**


- Hand dryer with electronic sensor.
- Model for mounting on the surface.
- Stainless steel sheet housing polish finish. Also available in satin finish (NOFER 01451.S) and white finish (NOFER 01451.W).
- Suitable for collectivities and designed for high traffic bathroom and continuous use.
- Robust, anti-vandal and safe because it is built without sharp edges or other dangerous elements.
- In accordance with LVD and EMC standards and the current European directives.

**TECHNICAL DATA**

- Polish finish AISI 304 stainless steel cover manufactured in one piece (thickness=1,2 mm).
- Protection grid made in polycarbonate. Fire-resistant plastic evolute.
- Wall fixation by 4 drills (Ø 8 mm). Fixing material included.
- Electronic Infrared sensor that stops the function when the hands leave the active range.
- Air temperature (room temperature de 20°C): 60°C.
- Universal motor without brushes (maintenance not needed).
- Motor speed 2800 r.p.m.
- Air flow 4000 l/min (240 m<sup>3</sup>/h) speed 65 Km/h.
- Total power 2050 W.
- Motor power: 110 W.
- Voltage/Frequency: 220-240 V - 50/60 Hz.
- Electrical isolation: Class II.
- Sensor sensitivity: 8-50 cm.
- Overheating resistance thermostat (automatic rearmament).
- Thermal fuse double security adjusted to 133°C.
- Sensor distance: 0-20 cm (regulation not possible).
- Maximum consumption 9 A.
- Noise level from 2 meters: 60 dBA.
- Protection index: IPX1.
- Dimensions: 323 height x 253 width x 152 depth (mm).
- Net weigh: 3,4 kg.
- Function: place your hands under the appliance. The hand dryer will start automatically and it continues working while the hands are within the active range. The device switches off after a few seconds of removal.
- Cleaning: we recommend cleaning with a cotton cloth slightly moistened with a soap solution. Then dry it.
- Estimated drying time: 40 seconds.

**SUGGESTED TEXT FOR PRESCRIPTION**

NOFER hand dryer, with AISI 304 stainless steel housing polish finish, hot air driven with electronic sensor, 2050 W power and temperature of 60°C. Speed motor 2800 r.p.m. Dimensions: 323 height x 253 width x 152 depth (mm).



NOFER S.L.  
 Avenida de la fama, 118  
 08940 · Cornellà de Llobregat (Barcelona)  
 Tel +34 934 742 423 · Fax +34 934 743 548  
 nofer@nofer.com · www.nofer.com

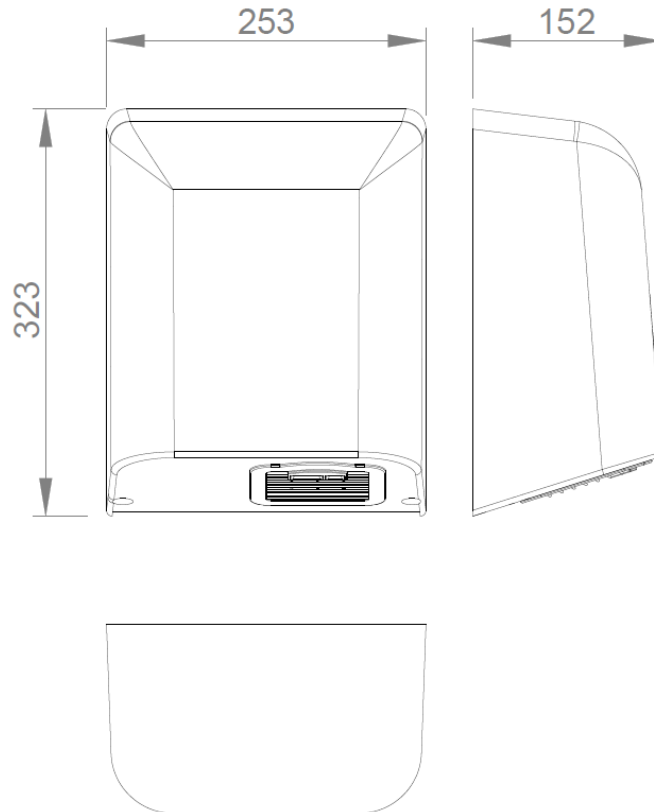
**Related Products**

**01451.S**

**01461.W**

**01451.W**

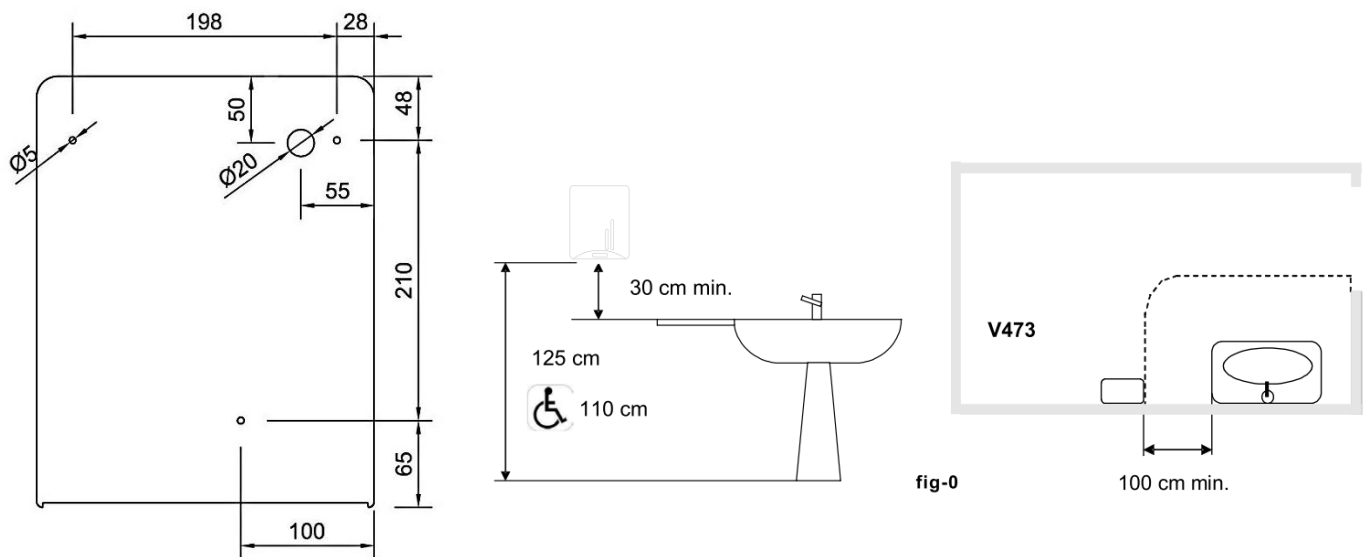
**TECHNICAL DRAWING**



DIMENSIONS IN mm

**INSTALLATION**

In toilet areas with a high frequency use, the recommendation is to install one hand dryer for each toilet. In toilet areas with a lower frequency of use, the recommendation is to install one hand dryer for every two sinks or two dryers for every three washbasins. Installation should be as shown in fig-0. In case of installation on marble or shiny surfaces, it should be located 40 cm above the surface.



NOFER S.L.  
 Avenida de la fama, 118  
 08940 · Cornellà de Llobregat (Barcelona)  
 Tel +34 934 742 423 · Fax +34 934 743 548  
 nofer@nofer.com · www.nofer.com