

Wall based hair dryer


- Surface mounted hair dryer.
- Two air speeds.
- Security switch ON/OFF.
- Wall based hair dryer with wall mounted support.
- Suitable for public places and hotels.
- Security push button for activation.

TECHNICAL DATA

- Hair dryer and support made of white ABS with difuser and air inlet of chromed ABS
- Dimensions: 185 height x 250 width x 138 depth (mm). Max. cable length 750 mm.
- Equipped with fixing materials.
- Weight: 0,85 Kg.
- Voltage: 220-240 V 50/60 Hz.
- Power: 1800 – 2200 W.
- Electric isolation: Class II. Protection index: IP20.
- Airflow: 82 m3/h.
- Sound pressure: 62 dBA.
- Outlet airflow temperature at 10 cm with environmental T^a of 21° C: 59°C.

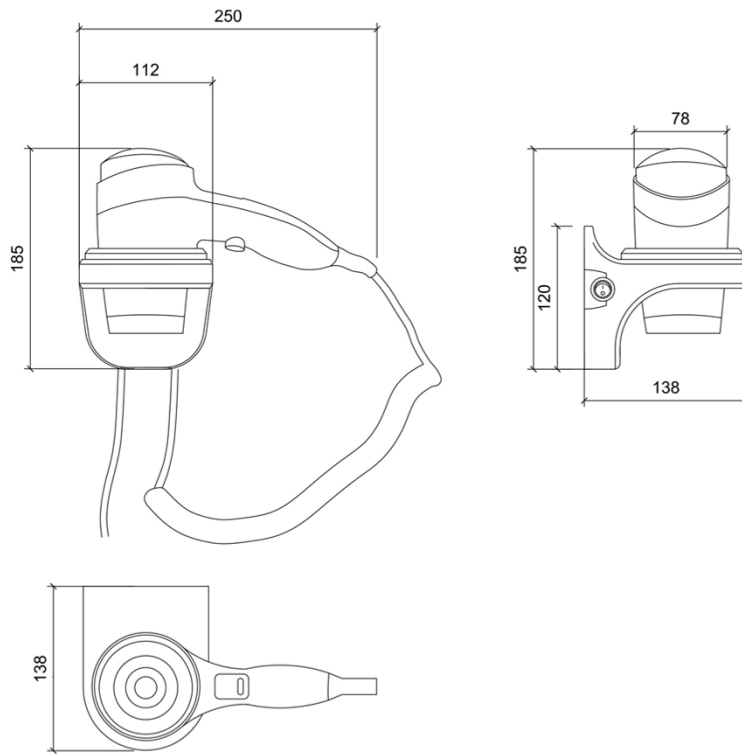
SUGGESTED TEXT FOR PRESCRIPTION

NOFER hair dryer, wall based installation and with hot airflow. Equiped with selector to adjust airflow. Security switch ON/OFF and security push button for activation. Power 1800 - 2200 W. Dimensions: 185 height x 250 width x 138 depth (mm).



NOFER S.L.
 Avenida de la fama, 118
 08940 · Cornellà de Llobregat (Barcelona)
 Tel +34 934 742 423 · Fax +34 934 743 548
 export@nofer.com · www.nofer.com

TECHNICAL DRAWING

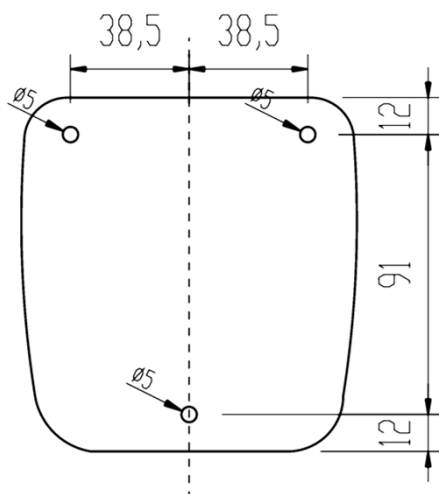


Dimensiones en mm

INSTALACIÓN

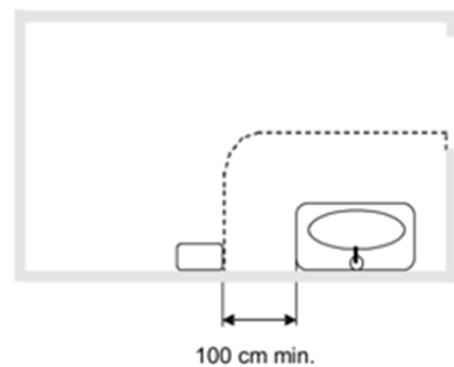
To the hair dryer set up, place the support where you want to install the hair dryer. Using it as a template, mark the position of the drills at the wall, then make the holes with a 6 mm drill. Introduce the wall plugs into the holes, place the ring and thread the screws. After, connect the plug-in. Once it is done, the hair dryer is ready to use.

The setting up should be as the fig-0 shows. Recommended height is 130 – 150 cm to the ground, or 110 in case of adapted bathrooms.



DIMENSIONS IN mm

Fig-0



100 cm min.



NOFER S.L.
 Avenida de la fama, 118
 08940 - Cornellà de Llobregat (Barcelona)
 Tel +34 934 742 423 - Fax +34 934 743 548
 export@nofer.com - www.nofer.com