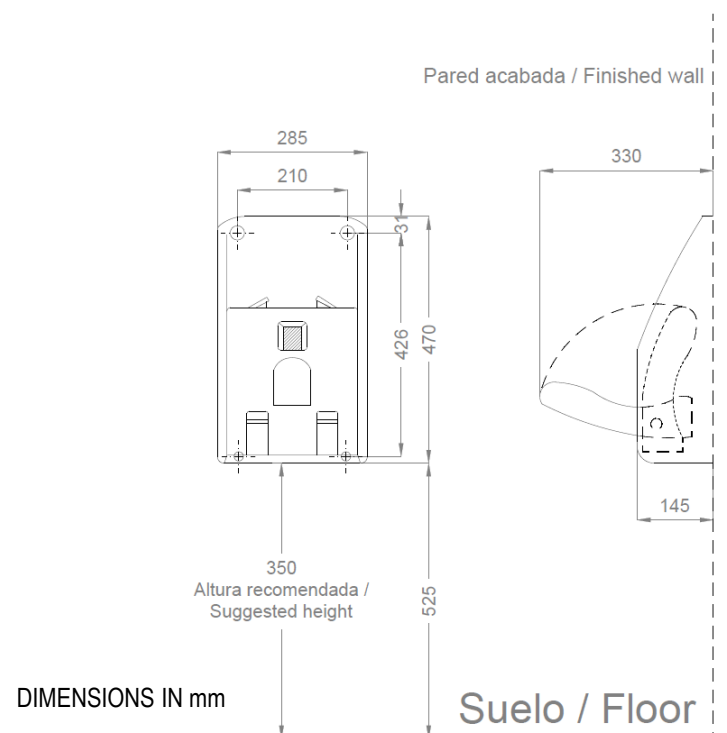


Baby chair

- Baby chair made of high density polyethylene with wall fixing.
- Compact, wall-mounted, foldable design.
- Safe to be built with rounded edges, no burrs and safety belt.
- Indicated to keep the baby safe in public areas (during feeding, or simply for support and protection of the baby).
- Durability and resistance.


TECHNICAL DATA

- Made of high quality HDPE (high density polyethylene), material highly resistant to use and with antibacterial protection.
- Dimensions closed: 470 height x 285 width x 145 depth (mm).
- Dimensions open: 470 height x 285 width x 330 depth (mm).
- Fastening materials included.
- Own weight: 3,5 kg.
- Designed to withstand static loads of 20 kg.

TECHNICAL DRAWING

SUGGESTED TEXT FOR PRESCRIPTION

NOFER baby chair, surface mounted and made of HDPE (high density polyethylene). Dimensions closed: 470 height x 285 width x 145 depth (mm). Dimensions open: 470 height x 285 width x 330 depth (mm).



NOFER S.L.
 Avenida de la fama, 118
 08940 · Cornellà de Llobregat (Barcelona)
 Tel +34 934 742 423 · Fax +34 934 743 548
 nofer@nofer.com · www.nofer.com

Related Products

09200.2.S

09203.2.S

09206.S

09209.W

09103.S