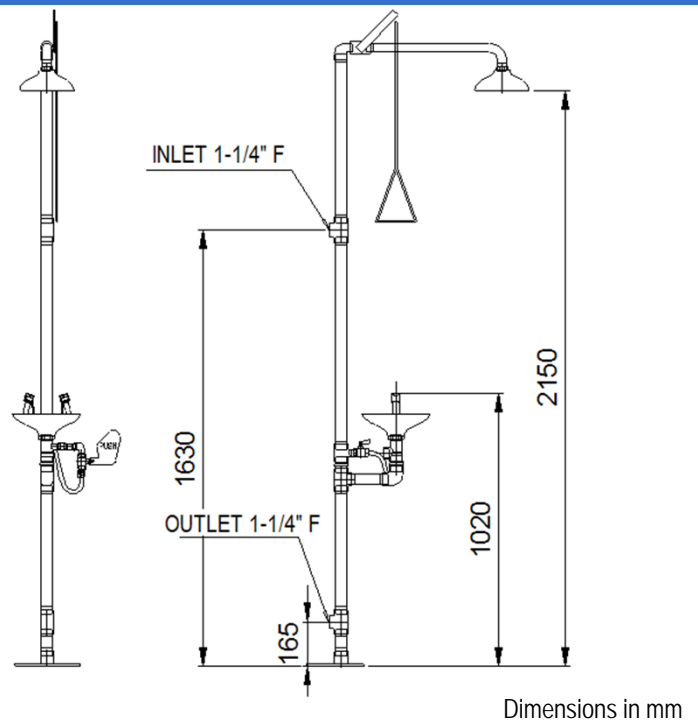


Emergency shower and eyewash

- Total way out valve shower, manual and instant opening.
- Emergency eyewash with high flow at low pressure.
- Emergency shower activated through rigid lever with triangle handle.
- Emergency eyewash activated through side lever.
- Double aerated jet with dust cover.
- Color green RAL 6029.
- Suitable for industries, laboratories and generally where there is risk of personal damages from fire, acids, chemical reactants, petroleum products, radioactive materials or other contaminants.
- CE conformity.

TECHNICAL DATA

- Shower head and eyewash bowl made of green polypropylene.
- Manufactured body made of galvanized zinc steel with epoxy painted.
- Connecting parts in brass.
- Min. required water flow: 6 liters / minute (2 bar).
- Eyewash flow: 14 liters / minute \pm 10%.
- Emergency shower flow: 120 liters / minute (3 bar).
- Water inlet: 1+1/4" thread.
- Water outlet: 1+1/4" thread.

TECHNICAL DRAWING

SUGGESTED TEXT FOR PRESCRIPTION

NOFER or similar emergency shower and emergency eyewash. Total way out valve shower, manual opening and eyewash with high flow at low pressure. Body made of galvanized zinc steel and covered with epoxy paint. Shower head and eyewash bowl made of polypropylene. Eyewash flow: 14 l/min \pm 10%. Shower flow: 120 l/min.



NOFER S.L.
 Avenida de la fama, 118
 08940 · Cornellà de Llobregat (Barcelona)
 Tel +34 934 742 423 · Fax +34 934 743 548
 export@nofer.com · www.nofer.com

Related Products
