

Paper Towel Roll Dispenser

- Paper towel roll dispenser.
- Designed for surface mounting.
- Suitable for collectivities and designed for high traffic bathroom and continuous use.



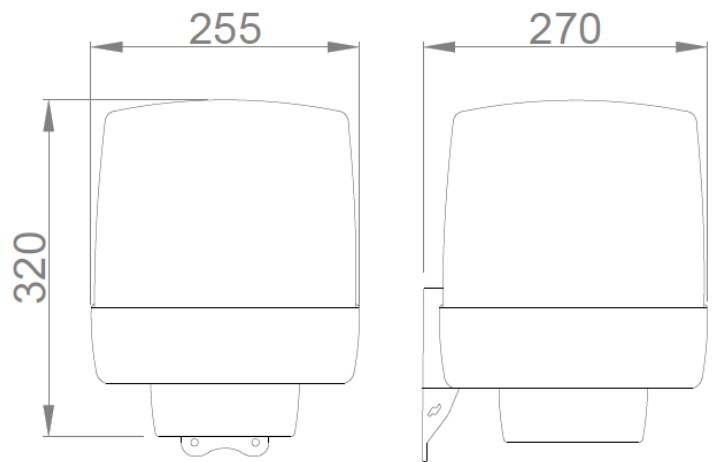
TECHNICAL DATA

- Made of white polypropylene. Cover made of translucent grey polypropylene.
- Top opening, easy to refill. Security lock with key included.
- Consumable: paper towel roll, NOFER 06004 and 06004.E.
- Dimensions: 320 height x 255 width x 270 depth (mm).

SUGGESTED TEXT FOR PRESCRIPTION

NOFER paper towel roll, made of polypropylene for surface mounting. Top opening with security lock. Dimensions: 320 height x 255 width x 270 depth (mm).

TECHNICAL DRAWING



DIMENSIONS IN mm



NOFER S.L.  
 Avenida de la fama, 118  
 08940 · Cornellà de Llobregat (Barcelona)  
 Tel +34 934 742 423 · Fax +34 934 743 548  
 nofer@nofer.com · www.nofer.com

Related Products



04099.B



04098.S



04101.MINI



04109



04008



04103