


Liquid soap dispenser

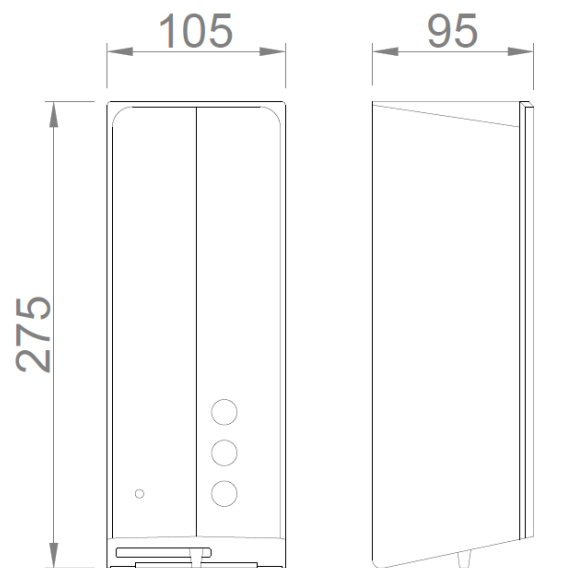
- Automatic powered soap dispenser with infrared sensor for wall installation.
- Suitable for soap and foam soap with pump (NOFER 03038.FP) not included.
- Stainless steel sheet housing black finish. Also available in satin finish (NOFER 03039.S), gloss finish (NOFER 03039.B), white finish (NOFER 03038.W) and other colors.
- With content viewer and security lock.
- Suitable for public places of high frequency of use.
- Led shows that indicates when batteries replaced.
- Suitable for alcohol-based disinfectants.

TECHNICAL DATA

- Made of AISI 304 stainless steel black finished.
- Electronic infrared sensor that stops the dispenser when the hands are removed from the detection field.
- Capacity: 1000 ml. Refillable.
- Works with 6 batteries of 1,5 V.
- Dimensions: 275 height x 105 width x 95 depth (mm).
- Operation: place your hands under the dispenser. This is activated automatically, remaining in operation while the hands are inside the sensor field. The dispenser goes off when you remove your hands.
- Maintenance: stainless steel needs maintenance because dust can eventually damage the chromium (Cr) content in stainless steel. We recommend monthly cleaning with a stainless steel special cleaner.
- Installation: place at least 45 cm from the worktop surface.

SUGGESTED TEXT FOR PRESCRIPTION

Automatic powered soap dispenser NOFER with activation by infrared sensor, made of black finished AISI 304 stainless steel. To fix to the wall with content viewer and security lock. Dimensions: 275 height x 105 width x 95 depth (mm).

TECHNICAL DRAWING


DIMENSIONS IN mm



NOFER S.L.
 Avenida de la fama, 118
 08940 · Cornellà de Llobregat (Barcelona)
 Tel +34 934 742 423 · Fax +34 934 743 548
 export@nofer.com · www.nofer.com

Related Products


01911.B



03008.W



03025.S



03022.S



03201.S



03001.S