

Suspended toilet pan

- Suspended toilet pan in AISI 304 stainless steel.
- Horizontal drainpipe.
- Anti vandal, one piece welded construction and without edges.
- Designed for bathrooms with high use frequency.
- Easy to clean, durability and resistant against rust.
- Satin finish, also available in polish finish (NOFER 13018.B).


TECHNICAL DATA

- Made of AISI 304 stainless steel.
- Stainless steel plate thickness: 2 mm (rear plate and seat), 1 mm for the rest.
- Dimensions: 380 height x 355 width x 550 depth (mm).
- Water inlet connection Ø31 mm and drainpipe outlet Ø100 mm.
- Holes not included - drilling is optional.
- Suitable for manual or automatic flusher system.
- Covers available: ABS (15028), wood (15031.NG) and stainless steel (15029.S), all optionally.
- Optional: fixing frame NOFER 13019.
- Does not include fixing screws.
- Maintenance: stainless steel needs maintenance because dust can eventually damage the chromium (Cr) content in stainless steel. We recommend monthly cleaning with a stainless steel special cleaner.

SUGGESTED TEXT FOR PRESCRIPTION

Suspended toilet pan NOFER in AISI 304 stainless steel satin finished. Horizontal drainpipe. Dimensions: 380 height x 355 width x 550 depth (mm). Water inlet connection Ø31 mm and drainpipe outlet Ø100 mm.



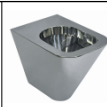
NOFER S.L.
 Avenida de la fama, 118
 08940 · Cornellà de Llobregat (Barcelona)
 Tel +34 934 742 423 · Fax +34 934 743 548
 export@nofer.com · www.nofer.com

Related Products

13004.P.S

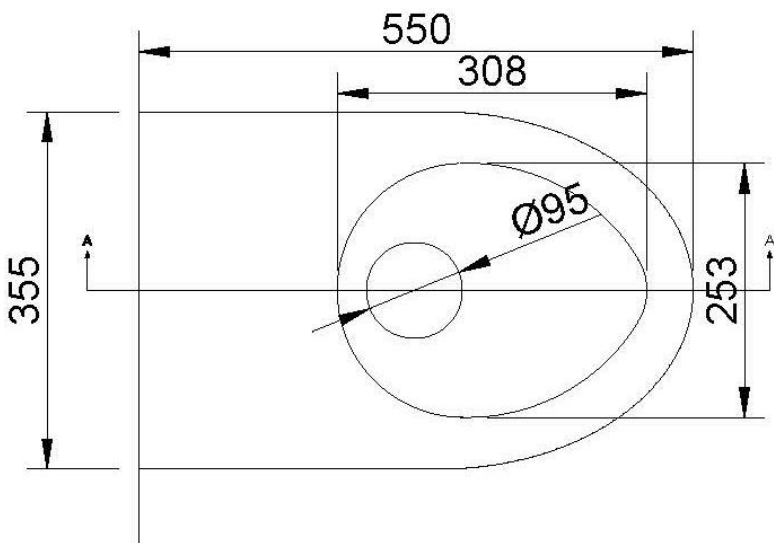
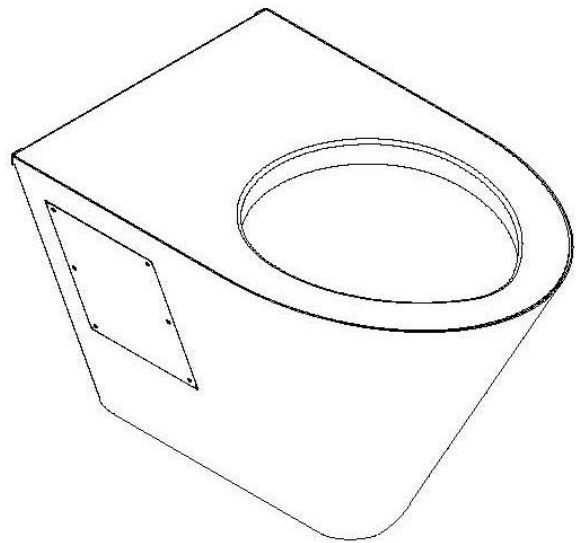
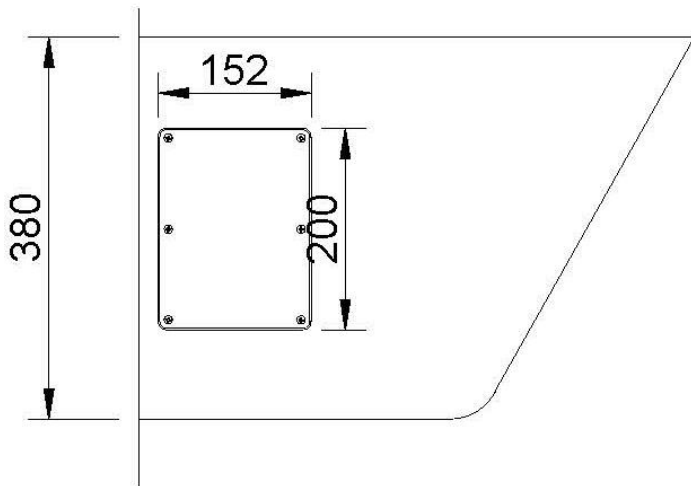
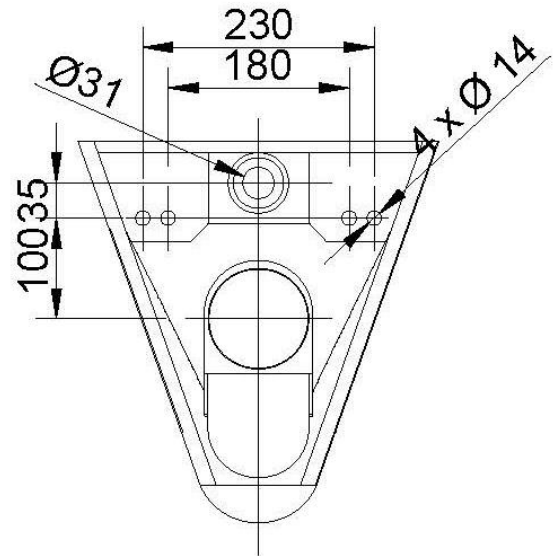
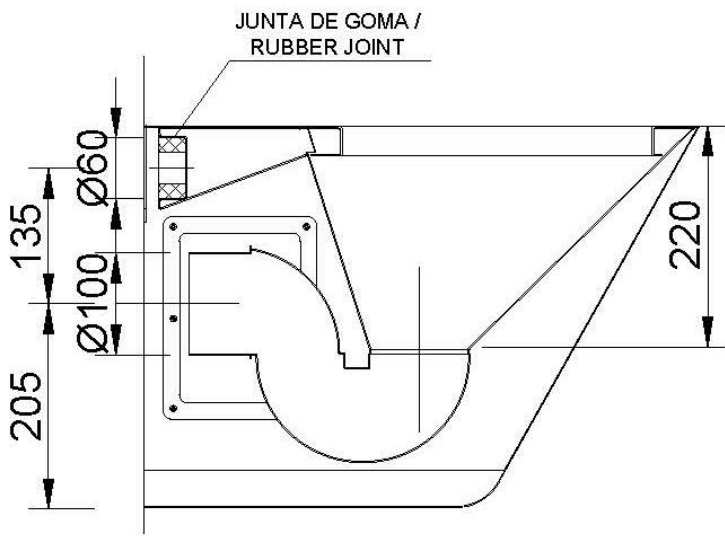
13002.S

13012.S

13016.B

13022

13024.S

TECHNICAL DRAWING



DIMENSIONS IN mm