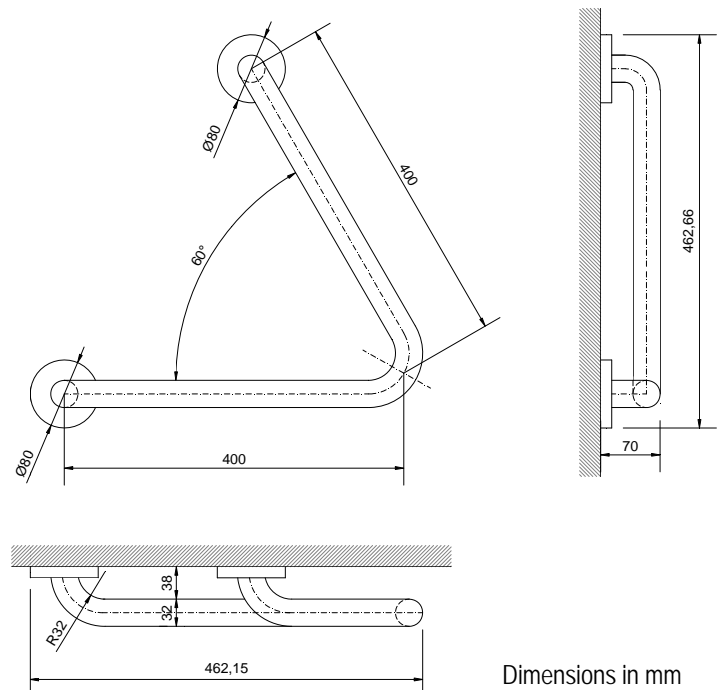


Fixed grab bar

- 60° angle grab bar to fix to wall, with rosette.
- Two anchor points.
- Support suitable for bathrooms, wc-bidet, showers and baths.
- Designed for adapted toilets for disabled.
- Stainless steel satin finish. Also available in white Nylon finish (NOFER 15069.W) and polish finish (NOFER 15069.B).
- Reversible position.


TECHNICAL DATA

- Made of AISI 304 stainless steel.
- Dimensions: horizontal arm 400 mm, inclined arm 400 mm.
- Bars \varnothing 32 mm, rosette \varnothing 80 mm.
- Fixing materials included.
- Maintenance: Stainless steel needs maintenance because dust can eventually damage the chrome in stainless steel. We recommend monthly cleaning with our special product.

TECHNICAL DRAWING

SUGGESTED TEXT FOR PRESCRIPTION

60° angle fixed grab bar NOFER or similar, in AISI 304 stainless steel. Dimensions: horizontal arm 400 mm, inclined arm 400 mm. Bars \varnothing 32 mm, rosette \varnothing 80 mm.