

Stainless Steel WC floor pan horizontal outlet


- Stainless steel WC floor pan with horizontal outlet.
- Anti vandal, totally welded without edges.
- Designed for high frequency public bathrooms.
- Easy to clean, durability and resistance against rust.
- Satin finish, also available in polish finish (NOFER 13012.B).

TECHNICAL DATA

- Made of AISI 304 stainless steel, 1.2 mm thick.
- Dimensions: 390 height x 355 width x 540 depth (mm).
- Water inlet connection Ø60 mm and drain pipe Ø100 mm.
- Holes not included - drilling is optional.
- Optional: covers available in ABS (15028), wood (15031) or stainless steel (15029).
- Optional: tank with holding frame (13100).
- Suitable for manual or automatic flusher system.

SUGGESTED TEXT FOR PRESCRIPTION

Stainless Steel WC pan with horizontal outlet NOFER, in stainless steel AISI 304. Dimensions: 390 height x 355 width x 540 depth (mm). Water inlet connection Ø60 mm and drain pipe Ø100 mm.



NOFER S.L.
 Avenida de la fama, 118
 08940 · Cornellà de Llobregat (Barcelona)
 Tel +34 934 742 423 · Fax +34 934 743 548
 export@nofer.com · www.nofer.com

Related Products

13012.M.S

13002.S

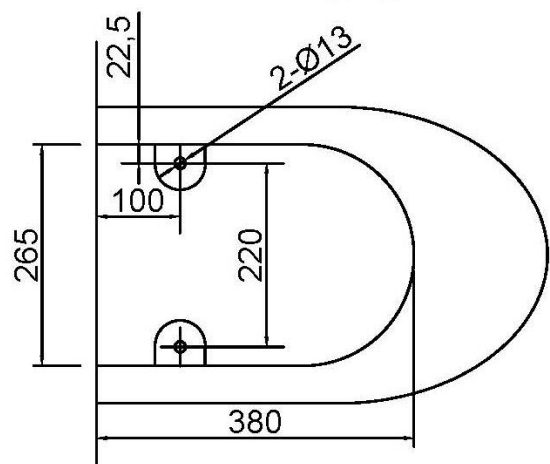
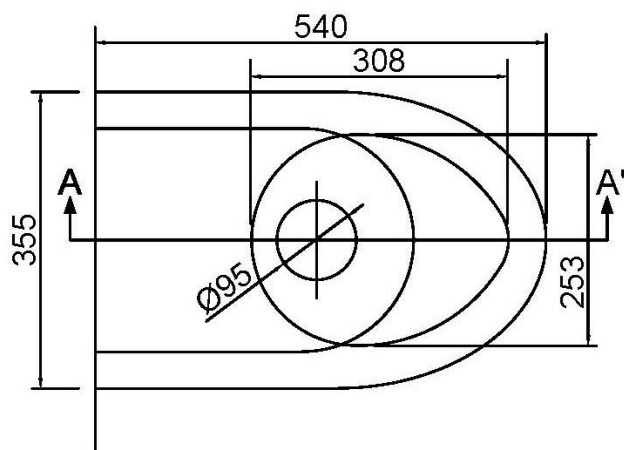
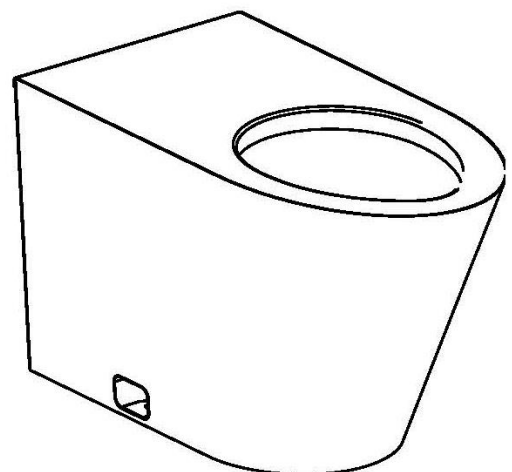
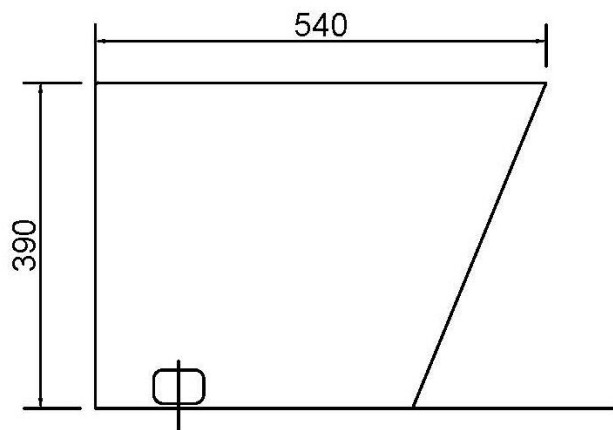
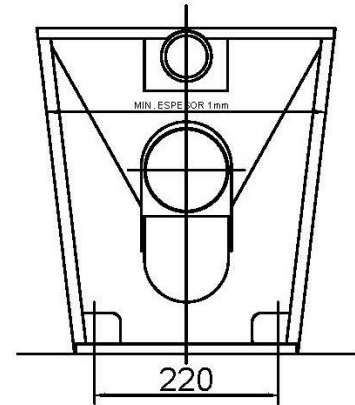
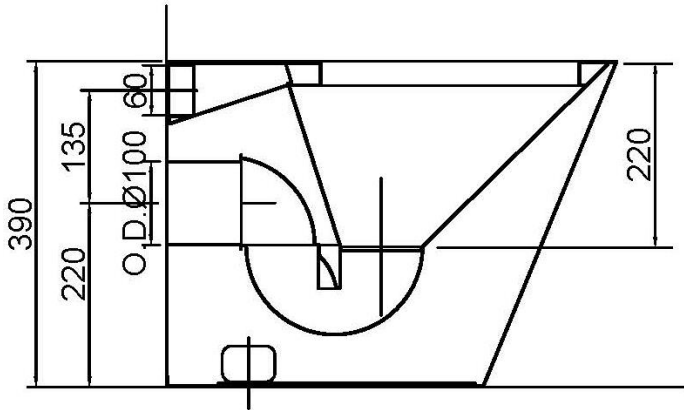
13013

13018

13022

13008.S

TECHNICAL DRAWING



DIMENSIONS IN mm



NOFER S.L.
 Avenida de la fama, 118
 08940 · Cornellà de Llobregat (Barcelona)
 Tel +34 934 742 423 · Fax +34 934 743 548
 nofer@nofer.com · www.nofer.com