

Angled grab bar

- Wall mounted 90° angled grab bar.
- Three wall support points.
- Suitable for support in bathrooms, wc-bidé, showers and bathtubs.
- Designed for bathrooms and adapted areas for disabled.


TECHNICAL DATA

- Made of white antibacterial Nylon coated aluminium.
- AISI 304 stainless steel wall support flanges with White Nylon flange covers.
- Dimensions (between center points): 700 x 400 mm.
- Bars Ø 34 mm.
- Nylon coating thickness 4 mm.
- Suggested installation height: 70-75 cm from de horizontal bar to finished floor.

SUGGESTED TEXT FOR PRESCRIPTION

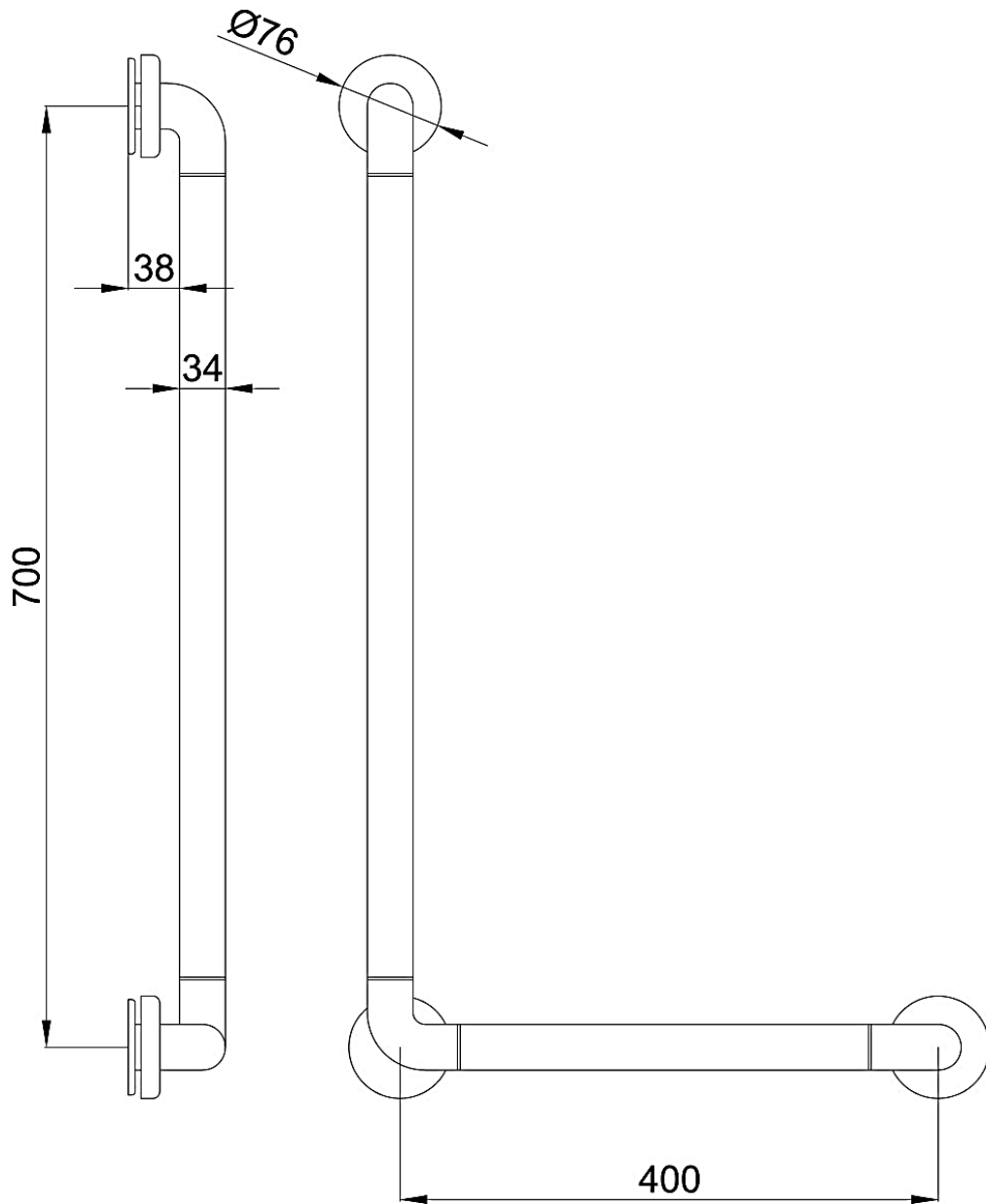
NOFER 90° angled bar, made of white antibacterial Nylon coated aluminium. Three wall support points. AISI 304 stainless steel wall support flanges with white Nylon flange covers. Dimensions: 700 x 400 mm.



NOFER S.L.
 Avenida de la fama, 118
 08940 · Cornellà de Llobregat (Barcelona)
 Tel +34 934 742 423 · Fax +34 934 743 548
 export@nofer.com · www.nofer.com

Related Products


TECHNICAL DRAWING



DIMENSIONS IN mm



NOFER S.L.
 Avenida de la fama, 118
 08940 · Cornellà de Llobregat (Barcelona)
 Tel +34 934 742 423 · Fax +34 934 743 548
 nofer@nofer.com · www.nofer.com