

Wall mounted folding seat

- Wall mounted folding seat with wall support.
- Suitable for accessible showers.
- Holds up to 110 kg. approx (if the fixation is done properly)
- Durability, resistance and easy to clean.
- AISI 304 Stainless steel polish finishing. Also available satin finishing (NOFER 15046.S) and white Nylon finishing (NOFER 15046.W).



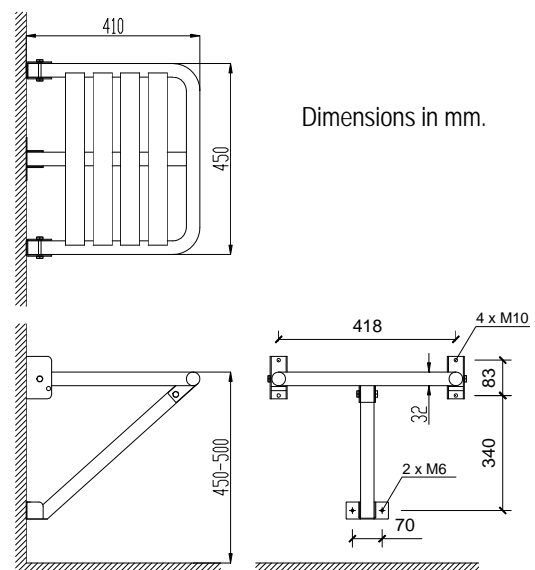
The picture belongs to NOFER 15046.S

TECHNICAL DATA

- Made in AISI 304 Stainless steel.
- Dimensions: 450 mm wide x 410 mm deep.
- Bars Ø 32 mm x 1,5 mm thick.
- Recommended installation high: 450 - 500 mm from the finished floor.
- Delivered with stainless steel speed rod.
- Maintenance: stainless steel needs maintenance because dust can eventually damage the chrome in stainless steel. We recommend monthly cleaning with our special product.

SUGGESTED TEXT FOR PRESCRIPTION

Wall mounted folding seat NOFER or similar, made in AISI 304 stainless steel. Holds up to 110 kg. Dimensions: 450 mm wide x 410 mm deep. Bars Ø 32 mm x 1.5 mm thick.

TECHNICAL DRAWING


NOFER S.L.
 Avenida de la fama, 118
 08940 · Cornellà de Llobregat (Barcelona)
 Tel +34 934 742 423 · Fax +34 934 743 548
 export@nofer.com · www.nofer.com

Related Products

