

Folding shower seat

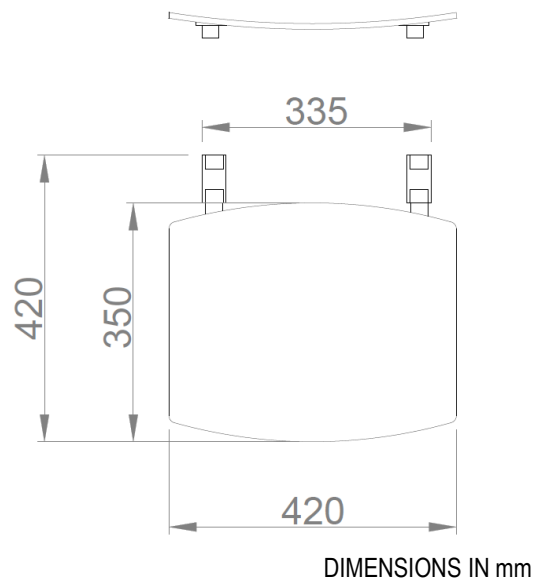
- Folding seat to fix to anti-bacteria polypropylene wall.
- Supports stainless steel AISI 304.
- With two anchor points.
- Designed for toilets and bathrooms adapted to people with reduced mobility.


TECHNICAL DATA

- Made of white polypropylene with anti-bacteria protection.
- Supports made of stainless steel AISI 304.
- Seat dimensions: 80 height x 420 width x 350 depth (mm).
- Recommended installation height 45-50 cm from the seating area to the finished floor.

SUGGESTED TEXT FOR PRESCRIPTION

NOFER seat made of white polypropylene with anti-bacteria protection. Support made of AISI 304 stainless steel. Seat dimensions: 80 height x 420 width x 350 Depth (mm).

TECHNICAL DRAWING


NOFER S.L.
 Avenida de la fama, 118
 08940 · Cornellà de Llobregat (Barcelona)
 Tel +34 934 742 423 · Fax +34 934 743 548
 nofer@nofer.com · www.nofer.com

Related Products

15042.FIX.NBA

15042.PAT.NBA

15042.MOV.NBA