

Toilet paper holder

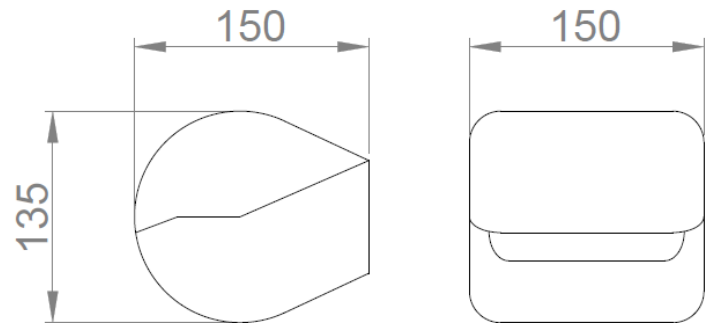
- Household size toilet paper towel holder.
- Designed for wall mounting.
- Transparent front for content viewing.


COMPONENTS AND SPECIFICATIONS

- Manufactured in black and transparent ABS.
- Dimensions: 135 height x 150 width x 150 depth (mm).
- Household size roll.
- Mounting screws included.

SUGGESTED TEXT FOR PRESCRIPTION

Household size toilet paper holder NOFER, with content view. For wall mounting, in black and transparent ABS. Dimensions: 135 height x 150 width x 150 depth (mm).

TECHNICAL DRAWING


DIMENSIONS IN mm



NOFER S.L.
 Avenida de la fama, 118
 08940 · Cornellà de Llobregat (Barcelona)
 Tel +34 934 742 423 · Fax +34 934 743 548
 export@nofer.com · www.nofer.com

Related products
