

Deposit for soap dispenser



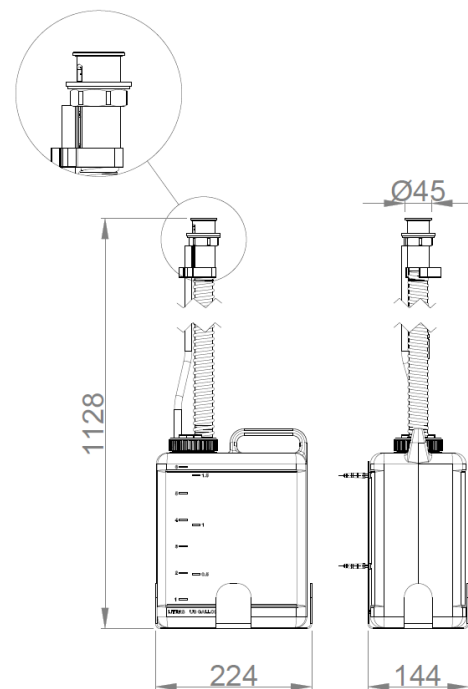
TECHNICAL DATA

- Tank for liquid soap dispensers with multiple feed system.
- With filling from countertop.
- Includes wall support.
- With LED indication of filling.
- It drastically reduces soap consumption.
- Fast and simple recharge and with LED indication and with anti-theft protection.
- Resistant and anti-vandal.

SUGGESTED TEXT FOR PRESCRIPTION

Tank for NOFER liquid soap dispenser with multiple feed system with filling LED. Dimensions: 1128 height x 144 width x 224 depth (mm). Countertop bezel diameter: Ø45 (mm).

TECHNICAL DRAWING



DIMENSIONS IN mm



NOFER S.L.
 Avenida de la fama, 118
 08940 · Cornellà de Llobregat (Barcelona)
 Tel +34 934 742 423 · Fax +34 934 743 548
 export@nofer.com · www.nofer.com

Related Products



01911.B



03203.B



03101.B



07250.B



03202.S



03201.S