

Multiple liquid soap dispenser



- Automatic soap dispenser to fit in countertop in chrome-plated brass gloss finish.
- For multiple feed system.
- Activation by infrared ray sensor.
- Suitable for public places of high frequency of use.
- Durability and resistance to corrosion.
- Suitable for liquid soap or hand sanitizer (7,5%).

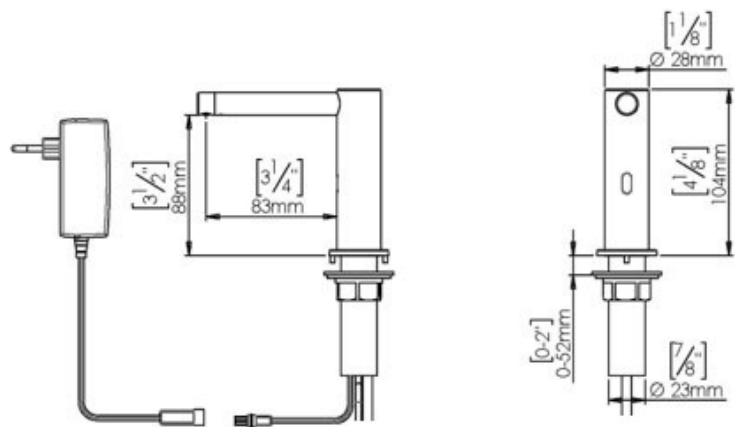
TECHNICAL DATA

- Main body made of chromed brass with gloss finish.
- Power supply: transformer. Optional with batteries.
- Capacity: 1000ml. Refillable.
- Detection range of the sensor: 50 mm.
- Standard soap discharge: 0,8 cc, adjustable.
- Sensor range: 30-100 mm ( $\pm 10$  mm) adjustable by remote control.
- Soap viscosity: 100-3800 cPs.
- Dimensions: 104 height x  $\varnothing 27$  width x 117 depth (mm). Under counter diameter: 0-52,  $\varnothing 23$  (mm).
- Operation: place your hands under the dispenser. This is activated automatically, remaining in operation while the hands are inside the sensor field. The dispenser turns off after a few seconds of removing them.
- Maintenance: for cleaning use only neutral soap and water, then wipe dry with a clean cloth. When cleaning bathroom tiles or similar, the soap dispenser should be protected from any splattering of harsh cleansers.

SUGGESTED TEST FOR PRESCRIPTION

Automatic liquid soap dispenser NOFER with activation by infrared sensor, in chrome-plated brass gloss finish. Dimensions: 104 height x  $\varnothing 28$  width x 117 depth (mm). Under counter diameter: 0-52,  $\varnothing 23$  (mm).

TECHNICAL DRAWING



DIMENSIONS IN mm



NOFER S.L.  
 Avenida de la fama, 118  
 08940 · Cornellà de Llobregat (Barcelona)  
 Tel +34 934 742 423 · Fax +34 934 743 548  
 export@nofer.com · www.nofer.com

Related Products



01911.B



03023.B



03101.B



07250.B



03202.S



03201.S